

SPECIFICATION

INSULATOR : LCP (BLACK)
CONTACT : BERYLLIUM COPPER
PLATING : SELECTED 30U" GOLD OVER NICKEL

STANDARD DATA


RATING CURRENT : 1.0 A
OPERATING TEMPERATURE : -30 °C TO + 70 °C
STORAGE TEMPERATURE : -40°C TO + 85 °C

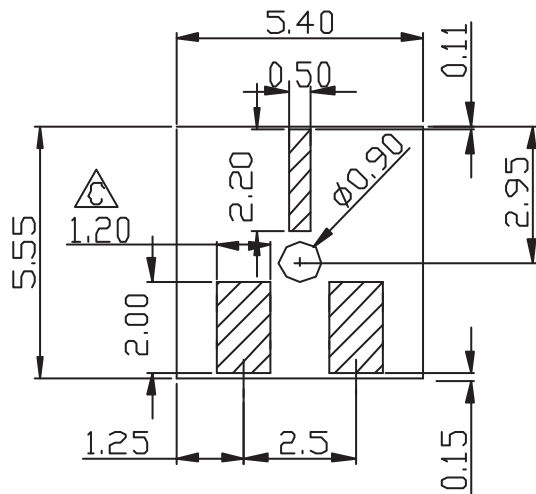
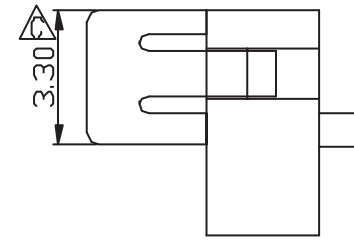
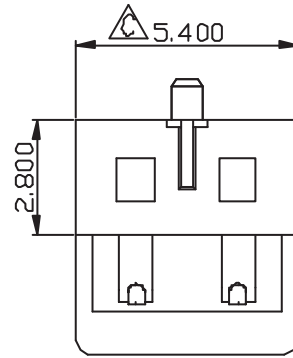
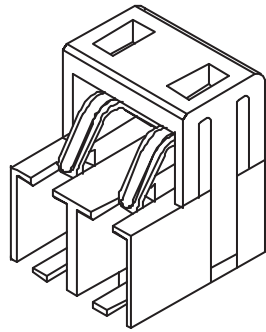
ELECTRICAL

INSULATOR RESISTANCE : 1000M ohms MIN. @250VDC
WITHSTANDING VOLTAGE : 250VAC/MINUTE
CONTACT RESISTANCE: 50 m ohms MAX.

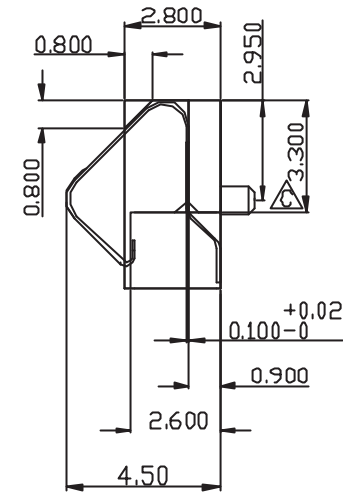
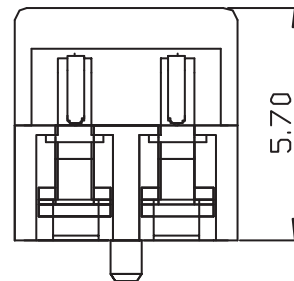
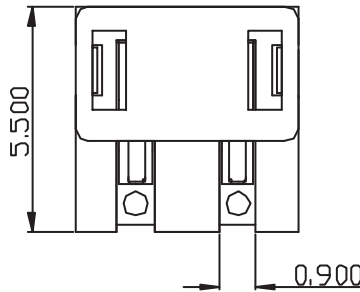
ORDER INFORMATION:


H B 250 - 021 - 1

GENAL TOLERANCE	VER DRE. 2005/06/01	PART NO
.X ± 0.30	A H. D L I	HB250-021-1
.XX ± 0.20	DESIGN	TITLE
.XXX ± 0.10	H. D L I	Battery Conn. Pitch2.5mm 2 PIN
	CHECKED	
	Y. M L U	
	APPROVED	
UNIT :mm	K. J Kang	 宏揚精密有限公司 HOJAR PRECISION CO., LTD.



P.C.B. LAYOUT <TOP VIEW>



GENAL TOLERANCE	VER DRE. 2005/06/01	PART NO
.X ±0.30	A H. D L I	HB250-021-1
.XX ±0.20	DESIGN	TITLE
.XXX ±0.10	H. D L I	Battery Conn. Pitch2.5mm
	CHECKED	2 PIN
	Y. M LU	
	APPROVED	
UNIT :mm	K. J Kang	 宏揚精密有限公司 HOJAR PRECISION CO., LTD.