


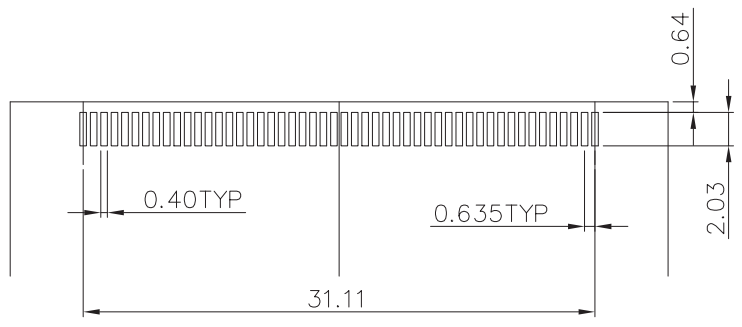
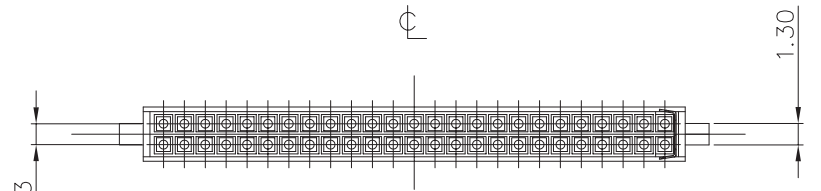
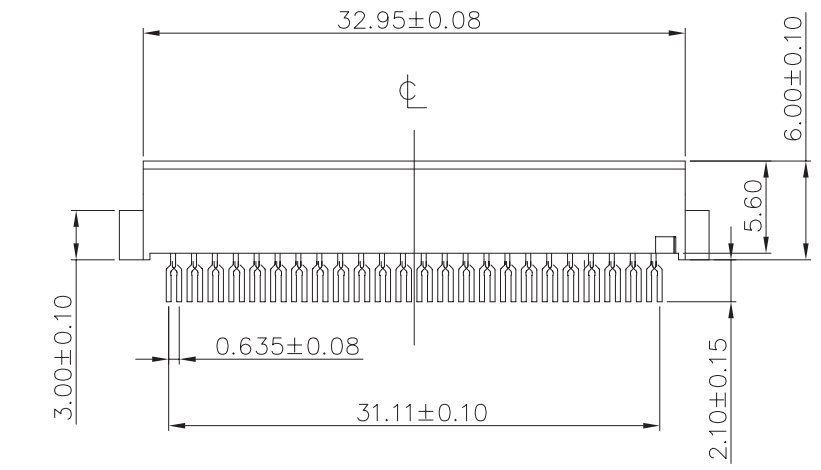
ORDER INFORMATION:

CFFI - 50X A - $\frac{X}{a}$ - $\frac{X}{b}$ $\frac{X}{c}$ $\frac{X}{d}$ - $\frac{X}{e}$

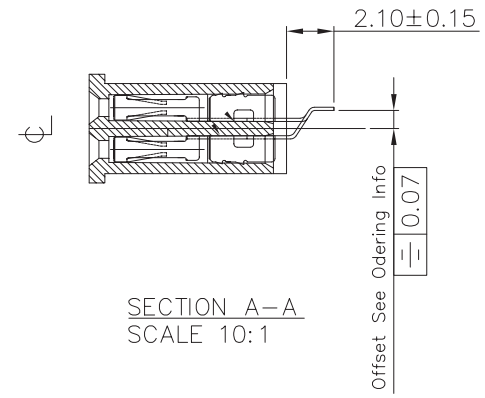
MATERIAL:
 Insulator: LCP+30% G.F., UL94V-0 rated. Color Black.
 Contact: Phosphor Bronze
 Plating:
 Contact area: Gold Plating 10U" over Ni underplate.
 Soldering Zone: Sn over Ni underplate

- a.
 - 0 : without ground pin
 - 1 : with ground pin
- b. OFFSET:
 - 1 :offset=0.21mm
 - 2 :offset=0.30mm
- c. Color selection :
 - B : Black
- d. Plastic selection :
 - L : LCP
- e. Pack selection:
 - T : Tube Pack
 - R : Reel Pack

GENAL TOLERANCE	DRAW	PART NO
.X ± 0.40	H. D. LI	CFFI-50XA-X-XX-X
.XX ± 0.25	DESIGN	TITLE
.XXX± 0.12	H. D. LI	CFA CARD RECEPTACLE (MIDDLE EAR)
	CHECKED	
	Y. M. LU	
	APPROVED	
UNIT :mm	J. F. KANG	 宏揚精密有限公司 HOJAR PRECISION CO., LTD.



Recommended P.C.Board Layout



GENAL TOLERANCE .X ± 0.40 .XX ± 0.25 .XXX± 0.12	DRAW	H. D. LI	PART NO
	DESIGN	H. D. LI	CFFI-50XA-X-XX-X
	CHECKED	Y. M. LU	TITLE
	APPROVED	J. F. KANG	CFA CARD RECEPTACLE (MIDDLE EAR)
UNIT :mm			 宏揚精密有限公司 HOJAR PRECISION CO., LTD.