

SPECIFICATIONS

HOUSING : High Temperature Plastic, UL 94V-O

CONTACT : Copper Alloys

VOLTAGE RATING : 100VAC

CURRENT RATING : 0.5A

CONTACT RESISTANCE : 40 m Ohm max.

INSULATION RESISTANCE : 1000M Ohm max.

DIELECTRIC STRENGTH : 500VAC/1min

OPERATION TEMPERATURE : -40°C ~ 85°C

ORDER INFORMATION:

CFP - 501 - $\frac{X}{a} \frac{X}{b}$ - $\frac{W}{c} \frac{N}{d}$ - $\frac{D}{e}$


- a. Plating selection :
 - 1 : 15u" Gold Plating
- b. Type selection :
 - 1 : Type 1 (Page 7)
 - 2 : Type 2 (Page 8)
- c. Color selection :

W : White
- d. Type selection :

N : Normal Type
- e. Pack selection:

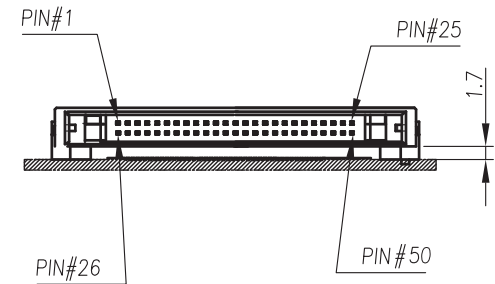
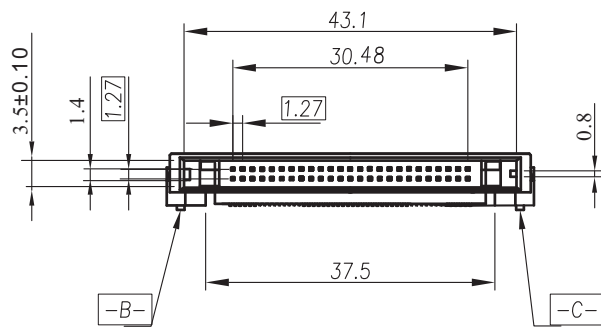
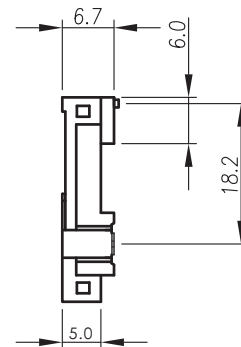
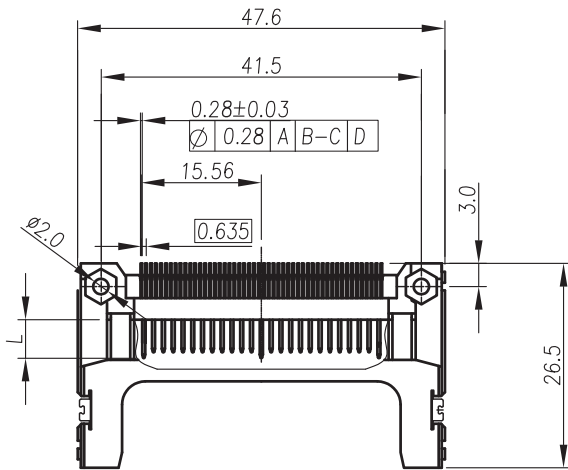
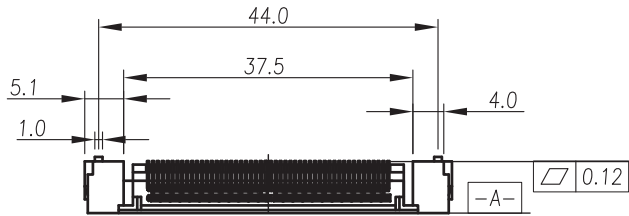
D : Disk Pack

VERSION & EC DESCRIPTION			
DATE	VERSION	PAGE	DESCRIPTION
2005/03/28	A	6-9	Add CFP-501-XX-WN-D Plan


GENERAL TOLERANCE	DRAW DATE	2005/03/28	PART NO
.X ± 0.30	H. D. LI		CFP-501-XX-WN-D
.XX ± 0.20	DESIGN	H. D. LI	TITLE 1.27mm CF Card Conn.
.XXX ± 0.10	CHECKED	Y. M. LU	50PIN Type 1,2 Normal Type
	APPROVED	J. F. KANG	 宏揚精密有限公司
UNIT :mm			HOJAR PRECISION CO., LTD.

VERSION

A

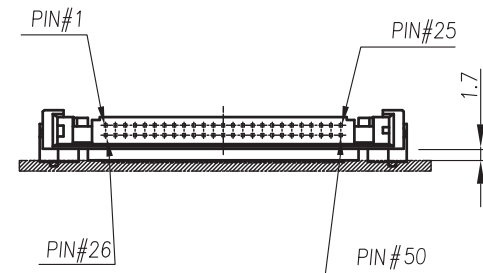
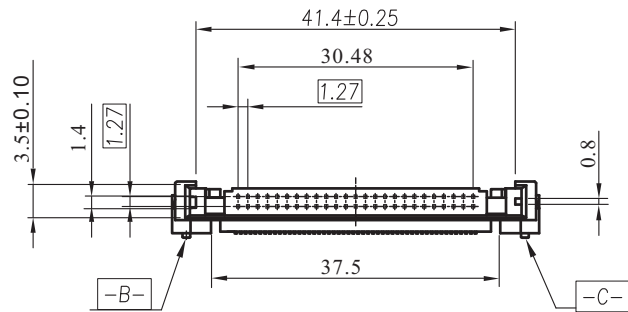
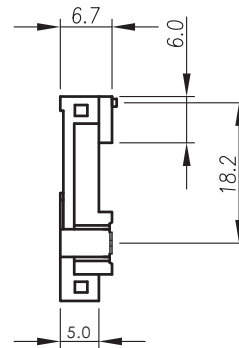
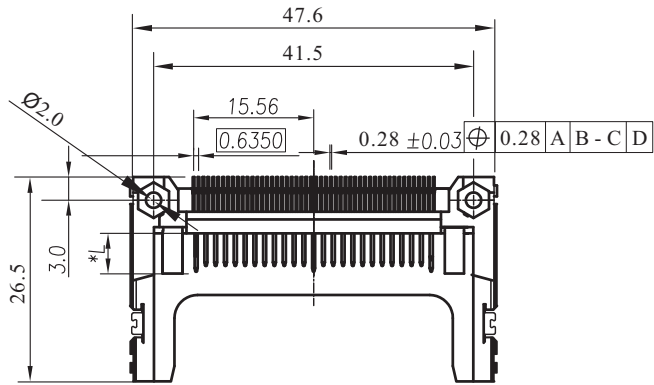
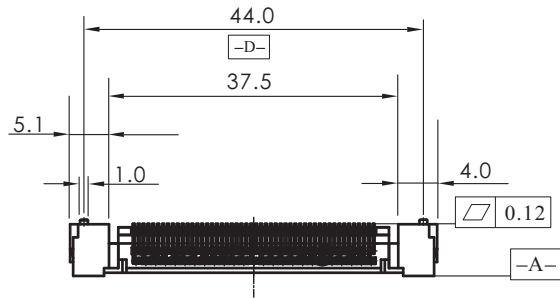


TYPE 1 (CFP-501-X1-WN-D)

GENAL TOLERANCE .X ± 0.30 .XX ± 0.20 .XXX ± 0.10	DRAW 2005/03/28	PART NO CFP-501-X1-WN-D
	DATE H. D. LI	
	DESIGN H. D. LI	TITLE 1.27mm CF Card Conn. 50PIN Type 1 Normal Type
	CHECKED Y. M. LU	
	APPROVED J. F. KANG	
UNIT :mm		 宏揚精密有限公司 HOJAR PRECISION CO., LTD.

VERSION

A

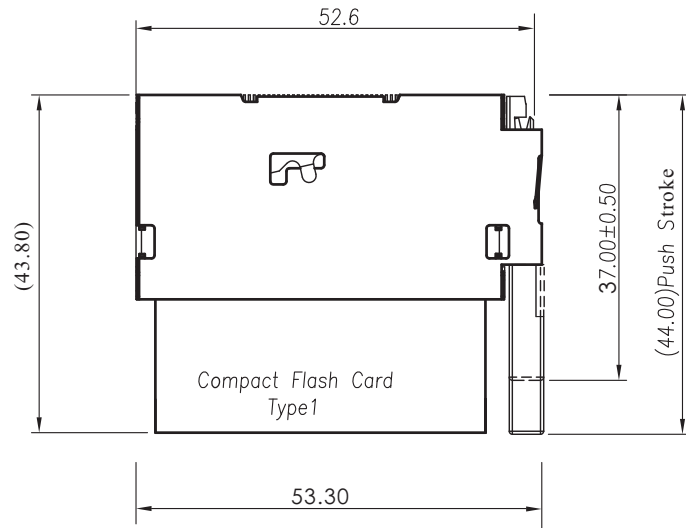


TYPE 2 (CFP-501-X2-WN-D)

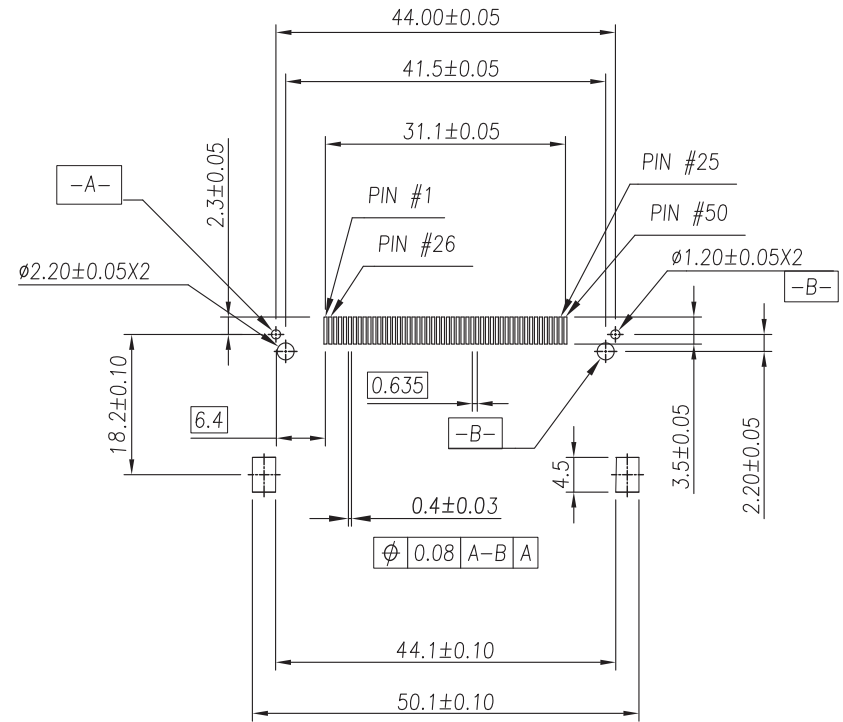
GENAL TOLERANCE .X ± 0.30 .XX ± 0.20 .XXX ± 0.10	DRAW DATE	2005/03/28 H. D. LI	PART NO CFP-501-X2-WN-D
	DESIGN	H. D. LI	TITLE 1.27mm CF Card Conn. 50PIN Type 2 Normal Type
	CHECKED	Y. M. LU	
	APPROVED	J. F. KANG	
UNIT :mm			宏揚精密有限公司 HOJAR PRECISION CO., LTD.

VERSION


A



Header With Ejector



P.C.B Layout

GENAL TOLERANCE .X ± 0.30 .XX ± 0.20 .XXX± 0.10	DRAW 2005/03/28 DATE H. D. LI	PART NO CFP-501-XX-WN-D
	DESIGN H. D. LI	TITLE 1.27mm CF Card Conn. 50PIN Type 1,2 Normal Type
	CHECKED Y. M. LU	
	APPROVED J. F. KANG	
UNIT :mm		 宏揚精密有限公司 HOJAR PRECISION CO., LTD.