

SPECIFICATIONS

HOUSING : High Temperature Plastic, UL 94V-0

CONTACT : Copper Alloys

VOLTAGE RATING : 100VAC

CURRENT RATING : 0.5A

CONTACT RESISTANCE : 40 m Ohm max.

INSULATION RESISTANCE : 1000M Ohm max.

DIELECTRIC STRENGTH : 500VAC/1min

OPERATION TEMPERATURE : -40°C ~ 85°C


ORDER INFORMATION:

CFP - 502 - $\frac{X}{a} \frac{2}{b}$ - $\frac{WN}{c d}$ - $\frac{D}{e}$

- a. Plating selection :
1 : 15u" Gold Plating
- b. Type selection :
2 : Type 2
- c. Color selection :
W : White
- d. Type selection :
N : Normal Type
- e. Pack selection:
D : Disk Pack

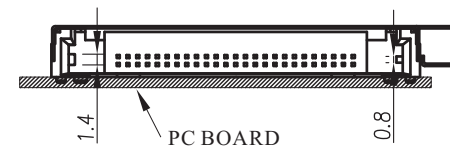
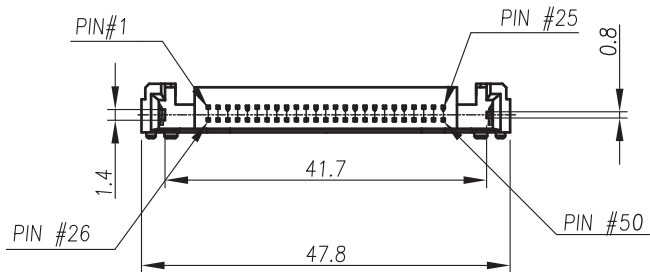
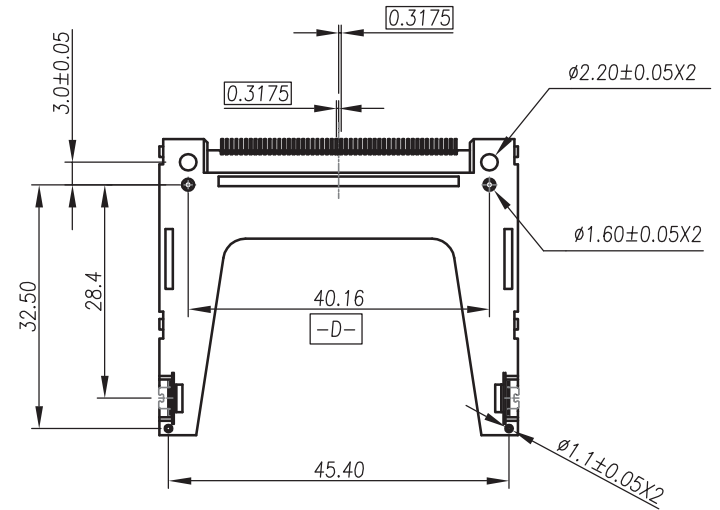
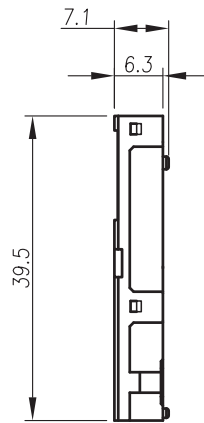
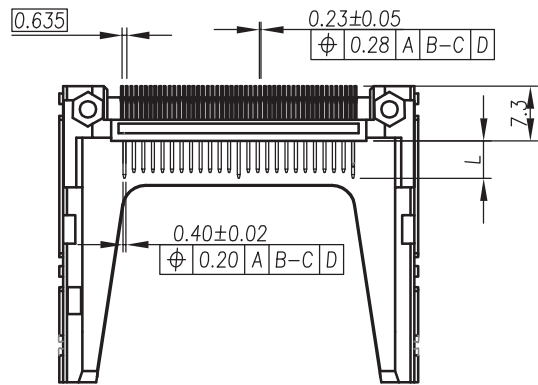
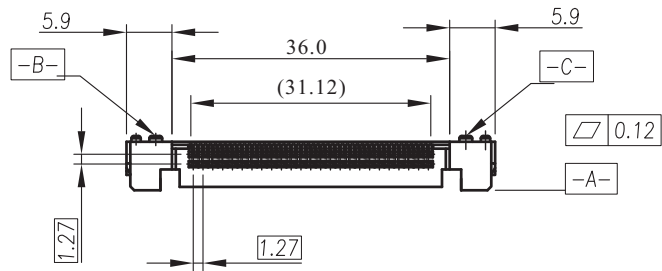
VERSION & EC DESCRIPTION


DATE	VERSION	PAGE	DESCRIPTION
2005/03/28	A	10-12	Add CFP-502-X2-WN-D Plan

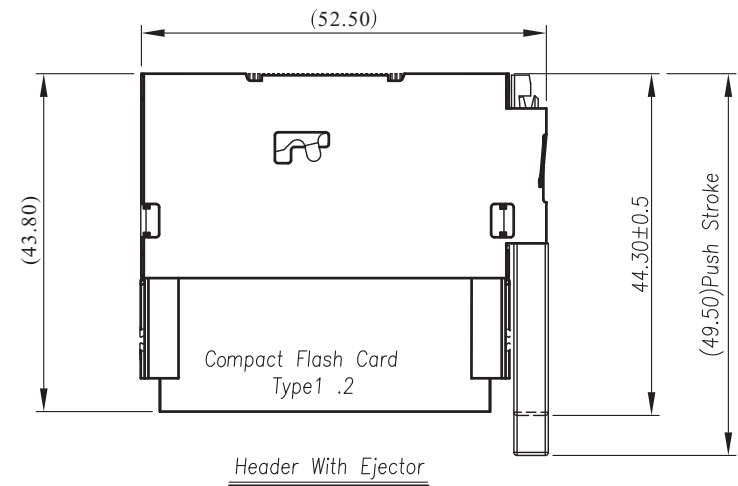
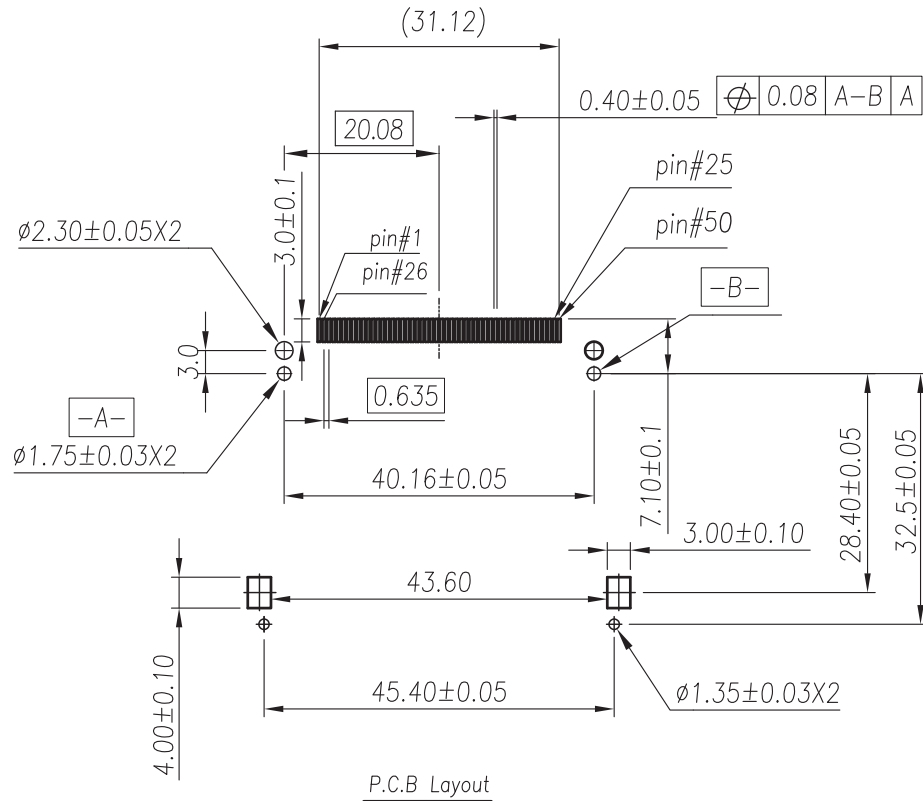
GENERAL TOLERANCE	DRAW DATE	2005/03/28 H. D. LI	PART NO
.X ± 0.30	DESIGN	H. D. LI	CFP-502-X2-WN-D
.XX ± 0.20	CHECKED	Y. M. LU	TITLE
.XXX ± 0.10	APPROVED	J. F. KANG	CF Card Conn. SMT Type 2 50PIN Normal Type
UNIT :mm			 宏揚精密有限公司 HOJAR PRECISION CO. : LTD.


VERSION

A



GENAL TOLERANCE .X ± 0.30 .XX ± 0.20 .XXX ± 0.10	DRAW 2005/03/28 DATE H. D. LI	PART NO CFP-502-X2-WN-D
	DESIGN H. D. LI	TITLE CF Card Conn. SMT Type 2 50PIN Normal Type
	CHECKED Y. M. LU	
	APPROVED J. F. KANG	
UNIT :mm		 宏揚精密有限公司 HOJAR PRECISION CO., LTD.



GENAL TOLERANCE .X ± 0.30 .XX ± 0.20 .XXX± 0.10	DRAW 2005/03/28 DATE H. D. LI	PART NO CFP-502-X2-WN-D
	DESIGN H. D. LI	TITLE CF Card Conn. SMT Type 2 50PIN Normal Type
	CHECKED Y. M. LU	
UNIT :mm	APPROVED J. F. KANG	 宏揚精密有限公司 HOJAR PRECISION CO., LTD.