

**SPECIFICATIONS**

HOUSING : High Temperature Plastic, UL 94V-O

CONTACT : Copper Alloys

VOLTAGE RATING : 100VAC

CURRENT RATING : 0.5A

CONTACT RESISTANCE : 40 m Ohm max.

INSULATION RESISTANCE : 1000M Ohm max.


DIELECTRIC STRENGTH : 500VAC/1min

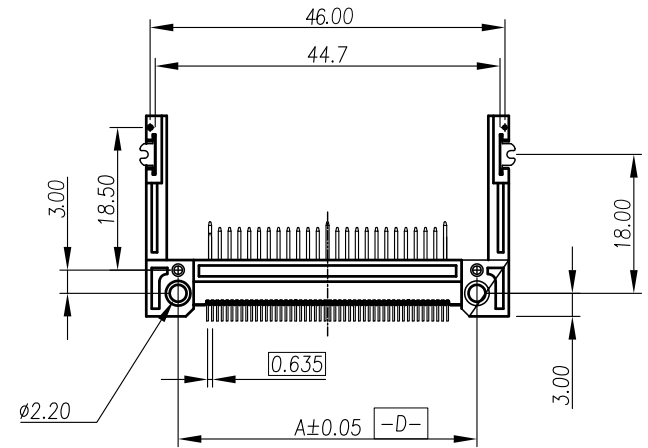
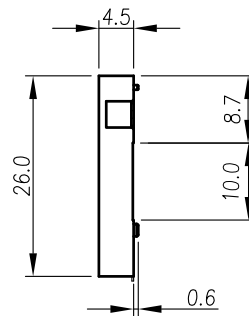
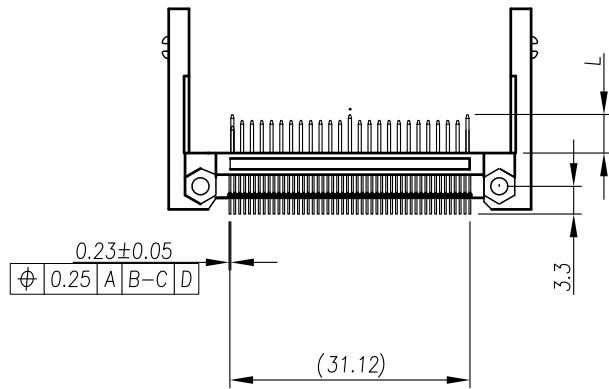
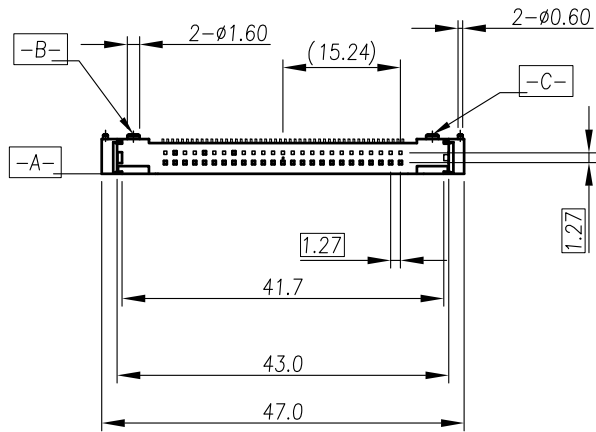
OPERATION TEMPERATURE : -40°C ~ 85°C

**ORDER INFORMATION:**CFP - 504 -  $\frac{X}{a} \frac{1}{b} - \frac{WR}{c} - \frac{0XD}{d e f g}$ 

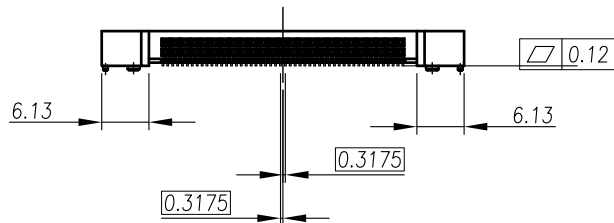
- a. Plating selection :  
1 : 15u" Gold Plating
- b. Type selection :  
1 : Type 1 ( SLIM )
- c. Color selection :  
W : White
- d. Type selection :  
R : Reverse Type
- e. Stand off :  
0 : 0 mm
- f. Dim A :  
0 : 38.74  
1 : 40.16
- g. Pack selection:  
D : Disk Pack


| VERSION & EC DESCRIPTION |         |       |                            |
|--------------------------|---------|-------|----------------------------|
| DATE                     | VERSION | PAGE  | DESCRIPTION                |
| 2005/03/29               | A       | 28-30 | Add CFP-504-X1-WR-0XD Plan |
|                          |         |       |                            |
|                          |         |       |                            |
|                          |         |       |                            |
|                          |         |       |                            |
|                          |         |       |                            |
|                          |         |       |                            |
|                          |         |       |                            |

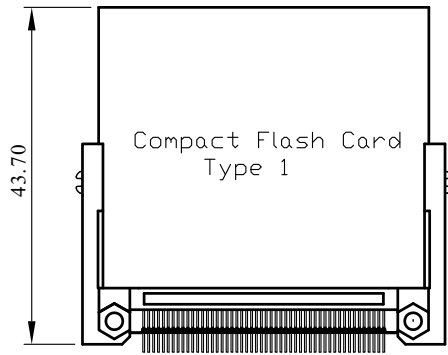
|                   |           |            |  |
|-------------------|-----------|------------|--|
| GENERAL TOLERANCE | DRAW DATE | 2005/03/29 | PART NO  |
| .X ± 0.30         | DATE      | H. D. LI   | CFP-504-X1-WR-0XD  |
| .XX ± 0.20        | DESIGN    | H. D. LI   | TITLE CF Card Conn.  |
| .XXX ± 0.10       | CHECKED   | Y. M. LU   | Type 1, SLIM Reverse Type  |
|                   | APPROVED  | J. F. KANG |  宏揚精密有限公司<br>HOJAR PRECISION CO. : LTD. |
| UNIT :mm          |           |            |  |



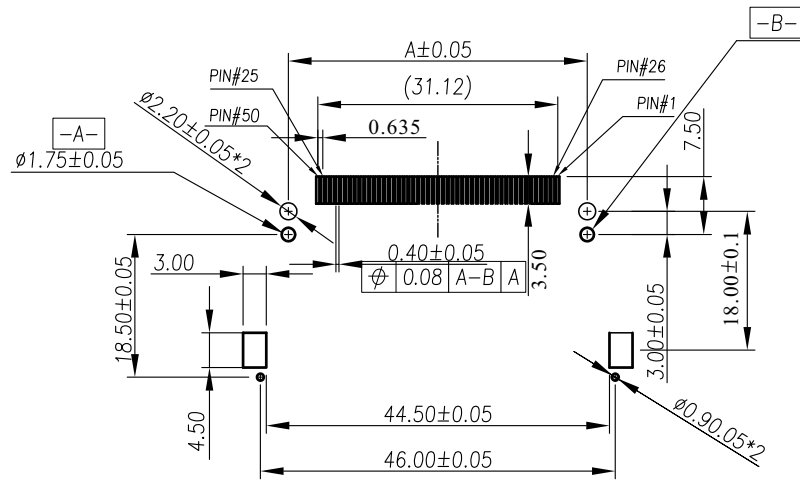
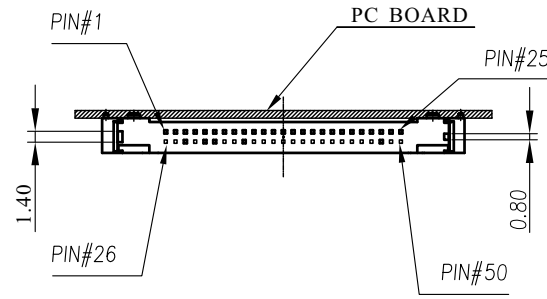
| Part NO.          | DIM A |
|-------------------|-------|
| CFP-504-X1-WR-00D | 38.74 |
| CFP-504-X1-WR-01D | 40.16 |



|   |                                  |  |
|---|----------------------------------|--|
| GENAL TOLERANCE<br>.X ± 0.30<br>.XX ± 0.20<br>.XXX ± 0.10 | DRAW 2005/03/29<br>DATE H. D. LI | PART NO<br>CFP-504-X1-WR-0XD   |
|   | DESIGN<br>H. D. LI               | TITLE CF Card Conn.<br>Type 1 ,SLIM Reverse Type   |
|   | CHECKED<br>Y. M. LU              |  |
|   | APPROVED<br>J. F. KANG           |  |
| UNIT :mm  |                                  |  宏揚精密有限公司<br>HOJAR PRECISION CO. : LTD. |




CARD INSERTION



P.C.B Layout

| Part NO.          | DIM A |
|-------------------|-------|
| CFP-504-X1-WR-00D | 38.74 |
| CFP-504-X1-WR-01D | 40.16 |

|   |                                  |  |
|---|----------------------------------|--|
| GENAL TOLERANCE<br>.X $\pm 0.30$<br>.XX $\pm 0.20$<br>.XXX $\pm 0.10$ | DRAW 2005/03/29<br>DATE H. D. LI | PART NO<br>CFP-504-X1-WR-0XD   |
|   | DESIGN<br>H. D. LI               | TITLE CF Card Conn.<br>Type 1 ,SLIM Reverse Type   |
|   | CHECKED<br>Y. M. LU              |  |
|   | APPROVED<br>J. F. KANG           |  |
| UNIT :mm  |                                  |  宏揚精密有限公司<br>HOJAR PRECISION CO. : LTD. |