

## SPECIFICATIONS

HOUSING : High Temperature Plastic, UL 94V-O

CONTACT : Copper Alloys

VOLTAGE RATING : 100VAC

CURRENT RATING : 0.5A

CONTACT RESISTANCE : 40 m Ohm max.

INSULATION RESISTANCE : 1000M Ohm max.

DIELECTRIC STRENGTH : 500VAC/1min

OPERATION TEMPERATURE : -40°C ~ 85°C


## ORDER INFORMATION:

CFP - 504 -  $\frac{X}{a}$   $\frac{2}{b}$  -  $\frac{WN}{c}$  -  $\frac{0}{d}$   $\frac{XD}{efg}$

- a. Plating selection :  
 1 : 15u" Gold Plating  
 2 : 30u" Gold Plating
- b. Type selection :  
 2 : Type 2 ( SLIM )
- c. Color selection :  
 W : White
- d. Type selection :  
 N : Normal Type
- e. Stand off :  
 0 : 0 mm
- f. Dim A :  
 0 : 38.74  
 1 : 40.16
- g. Pack selection:  
 D : Disk Pack

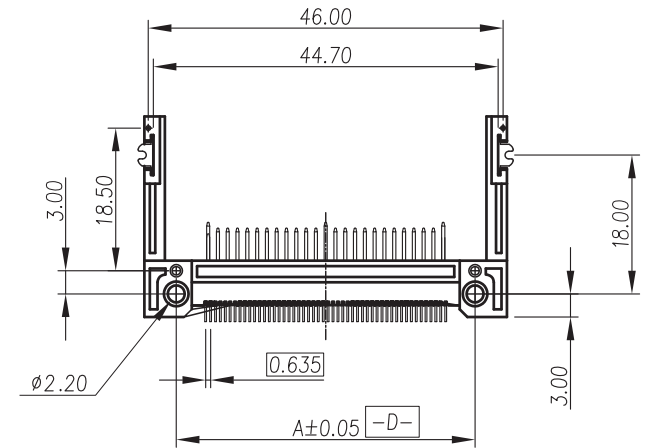
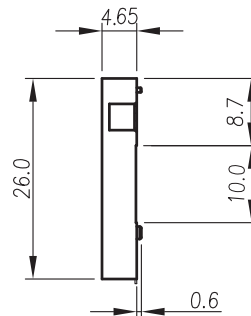
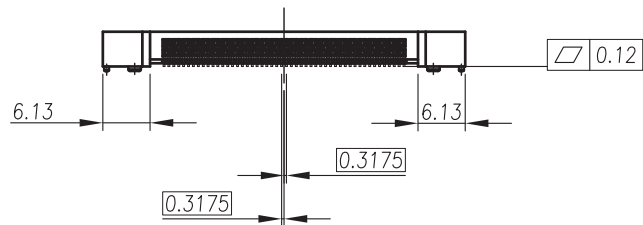
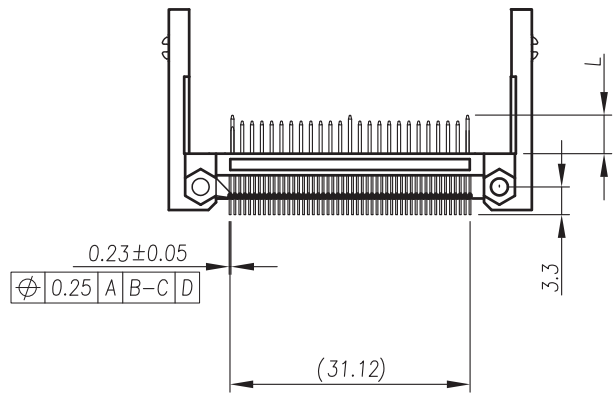
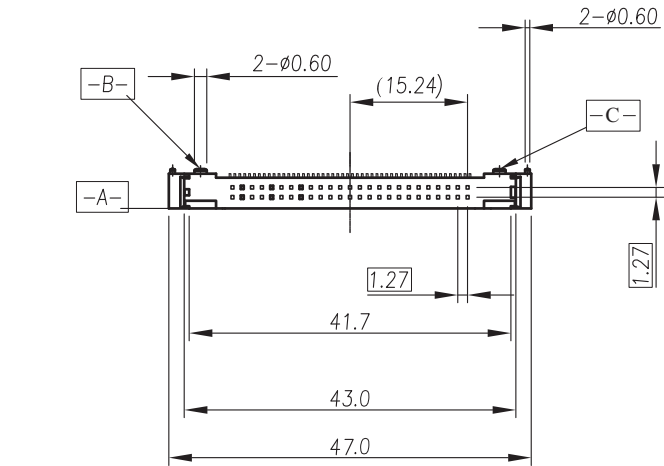
VERSION & EC DESCRIPTION


DATE	VERSION	PAGE	DESCRIPTION
2005/03/29	A	25-27	Add CFP-504-X2-WN-0XD Plan

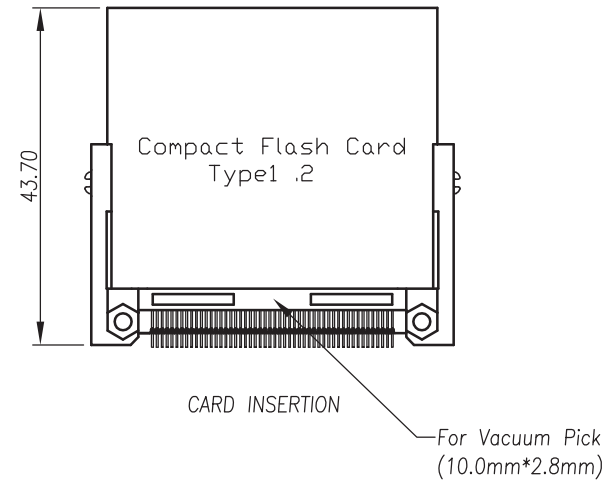
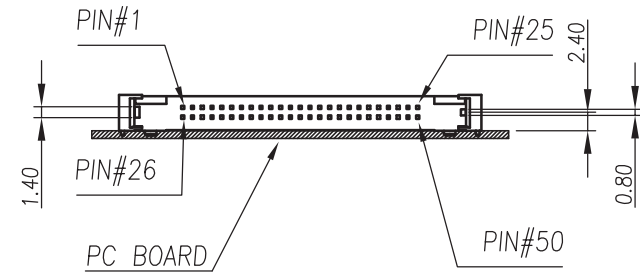
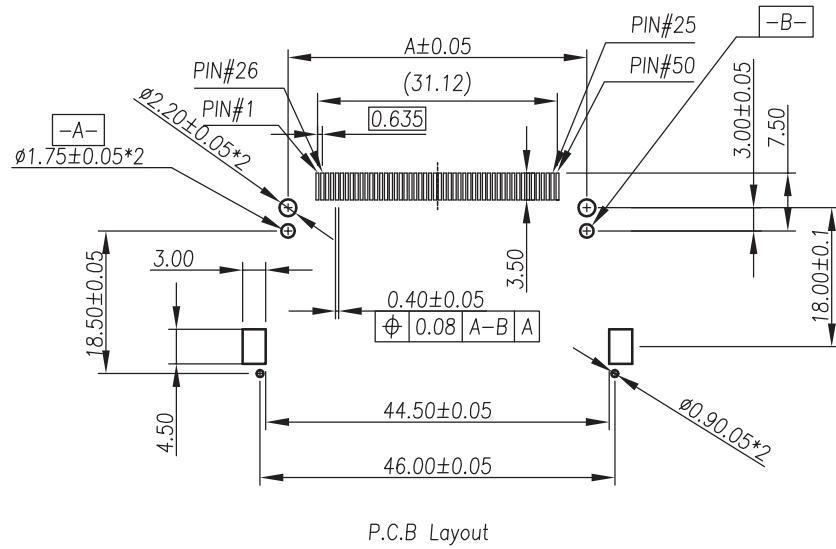
GENERAL TOLERANCE	DRAW DATE	2005/03/29 H. D. LI	PART NO
.X ± 0.30	DESIGN	H. D. LI	CFP-504-X2-WN-0XD
.XX ± 0.20	CHECKED	Y. M. LU	TITLE
.XXX ± 0.10	APPROVED	J. F. KANG	CF Card Conn. TYPE1,2 STAND-OFF 0.0mm NORMAL TYPE
UNIT :mm			 宏揚精密有限公司 HOJAR PRECISION CO., LTD.


VERSION

A



GENAL TOLERANCE .X $\pm 0.30$ .XX $\pm 0.20$ .XXX $\pm 0.10$	DRAW 2005/03/29 DATE H. D. LI	PART NO CFP-504-X2-WN-0XD
	DESIGN H. D. LI	TITLE CF Card Conn. TYPE1,2 STAND-OFF 0.0mm NORMAL TYPE
	CHECKED Y. M. LU	
	APPROVED J. F. KANG	
UNIT :mm		 宏揚精密有限公司 HOJAR PRECISION CO., LTD.



GENAL TOLERANCE .X $\pm 0.30$ .XX $\pm 0.20$ .XXX $\pm 0.10$	DRAW 2005/03/29 DATE H. D. LI	PART NO CFP-504-X2-WN-0XD
	DESIGN H. D. LI	TITLE CF Card Conn. TYPE1,2 STAND-OFF 0.0mm NORMAL TYPE
	CHECKED Y. M. LU	
	APPROVED J. F. KANG	
UNIT :mm		 宏揚精密有限公司 HOJAR PRECISION CO., LTD.