

SPECIFICATIONS

HOUSING : High Temperature Plastic, UL 94V-O

CONTACT : Copper Alloys

VOLTAGE RATING : 100VAC

CURRENT RATING : 0.5A

CONTACT RESISTANCE : 40 m Ω max.

INSULATION RESISTANCE : 1000M Ω max.

DIELECTRIC STRENGTH : 500VAC/1min

OPERATION TEMPERATURE : -40°C ~ 85°C


ORDER INFORMATION:

CFP - 504 - $\frac{X}{a} \frac{2}{b} - \frac{WN}{c} - \frac{1}{d} \frac{XD}{efg}$

- a. Plating selection :
 1 : 15u" Gold Plating
 2 : 30u" Gold Plating
- b. Type selection :
 2 : Type 2
- c. Color selection :
 W : White
- d. Type selection :
 N : Normal Type
- e. Standoff :
 1 : 2.0 mm
- f. Dim A :
 0 : 38.74
 1 : 40.16
- g. Pack selection:
 D : Disk Pack

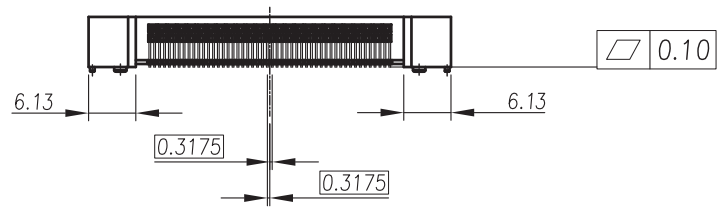
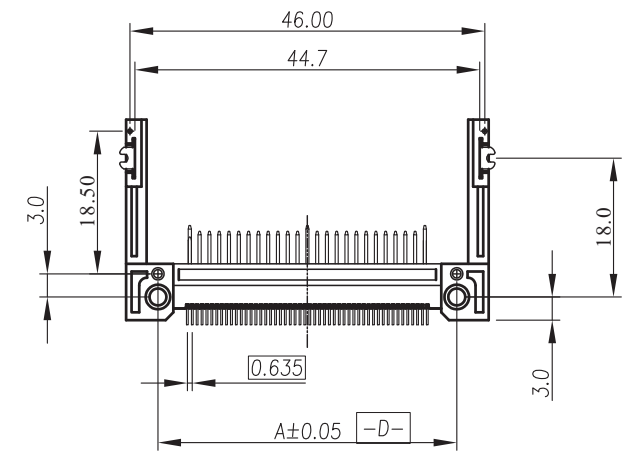
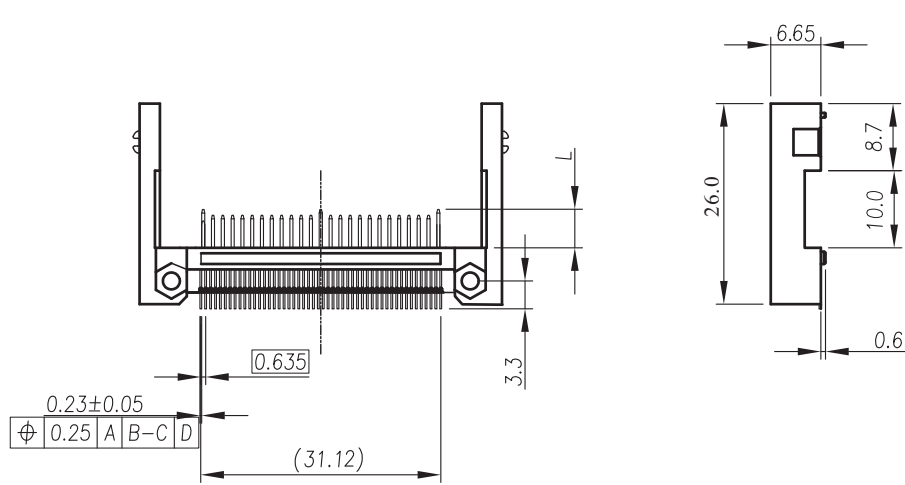
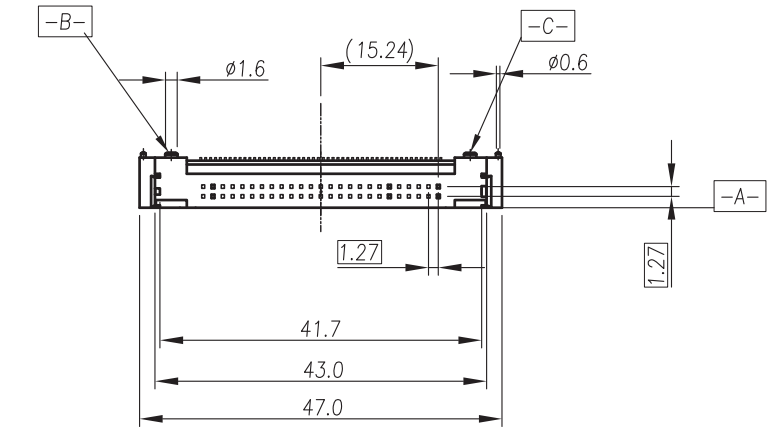
VERSION & EC DESCRIPTION


DATE	VERSION	PAGE	DESCRIPTION
2005/03/29	A	31-33	Add CFP-504-X2-WN-1XD Plan

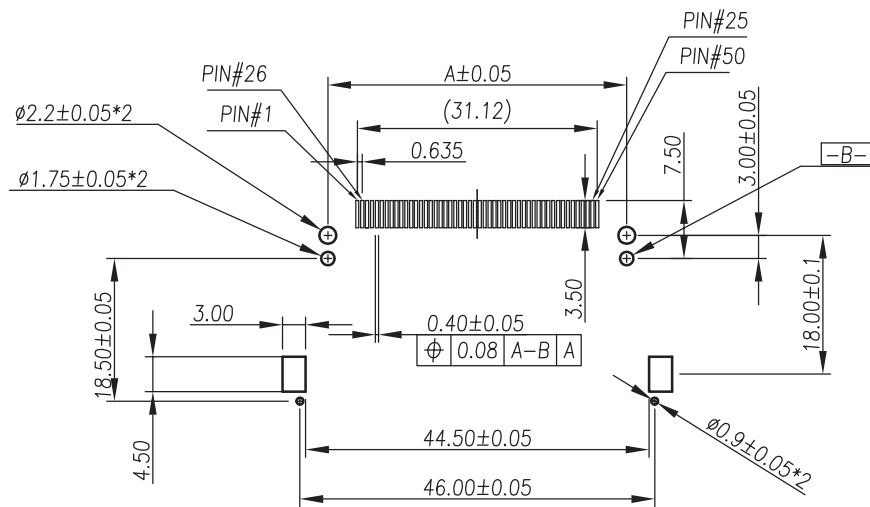
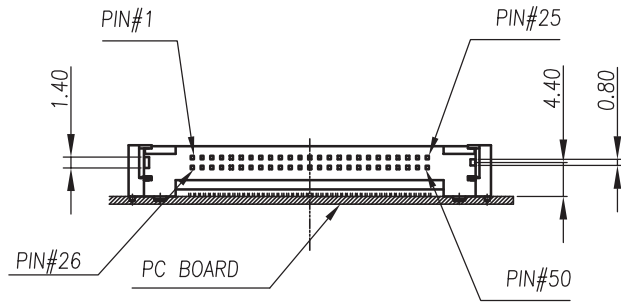
GENERAL TOLERANCE	DRAW DATE	2005/03/29 H. D. LI	PART NO
.X \pm 0.30	DESIGN	H. D. LI	CFP-504-X2-WN-1XD
.XX \pm 0.20	CHECKED	Y. M. LU	TITLE CF Card Conn. TYPE 1,2
.XXX \pm 0.10	APPROVED	J. F. KANG	STAND-OFF 2.0mm NORMAL TYPE
UNIT :mm			 宏揚精密有限公司 HOJAR PRECISION CO., LTD.

VERSION

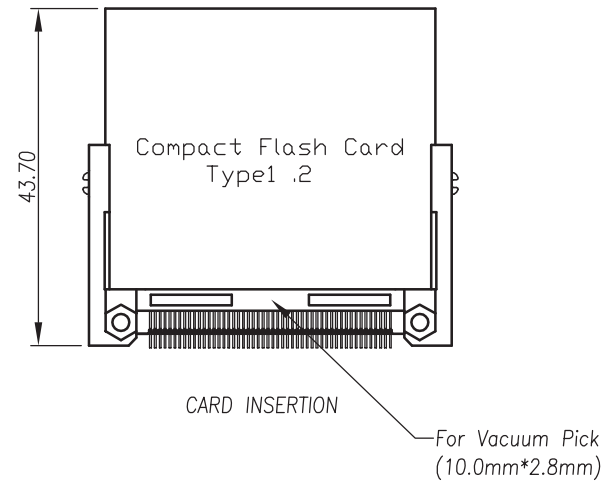
A




GENERAL TOLERANCE .X ± 0.30 .XX ± 0.20 .XXX ± 0.10	DRAW DATE	2005/03/29 H. D. LI	PART NO	CFP-504-X2-WN-1XD
	DESIGN	H. D. LI	TITLE	CF Card Conn. TYPE 1,2 STAND-OFF 2.0mm NORMAL TYPE
	CHECKED	Y. M. LU		
	APPROVED	J. F. KANG		
UNIT :mm			 宏揚精密有限公司 HOJAR PRECISION CO., LTD.	



P.C.B Layout



GENAL TOLERANCE .X ± 0.30 .XX ± 0.20 .XXX ± 0.10	DRAW 2005/03/29 DATE H. D. LI	PART NO CFP-504-X2-WN-1XD
	DESIGN H. D. LI	TITLE CF Card Conn. TYPE 1,2 STAND-OFF 2.0mm NORMAL TYPE
	CHECKED Y. M. LU	
UNIT :mm	APPROVED J. F. KANG	 宏揚精密有限公司 HOJAR PRECISION CO., LTD.