

## SPECIFICATIONS

HOUSING : High Temperature Plastic, UL 94V-O

CONTACT : Copper Alloys

VOLTAGE RATING : 100VAC

CURRENT RATING : 0.5A

CONTACT RESISTANCE : 40 m  $\Omega$  max.

INSULATION RESISTANCE : 1000M  $\Omega$  max.

DIELECTRIC STRENGTH : 500VAC/1min


OPERATION TEMPERATURE : -40°C ~ 85°C

## ORDER INFORMATION:

CFP - 504 -  $\frac{X}{a} \frac{2}{b} - \frac{WR}{c} - \frac{1}{d} \frac{XD}{efg}$

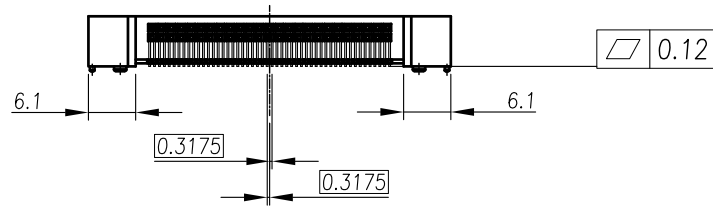
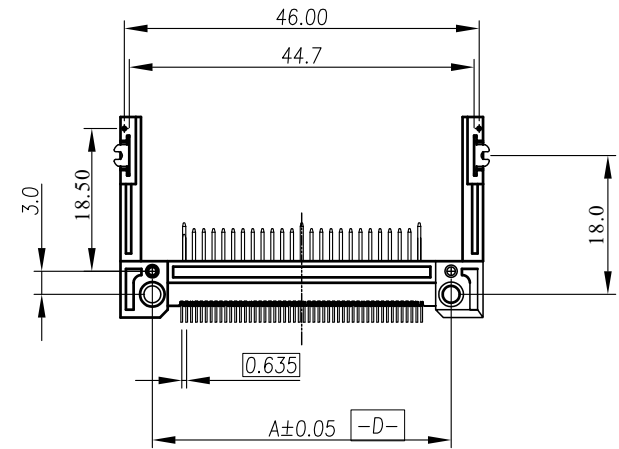
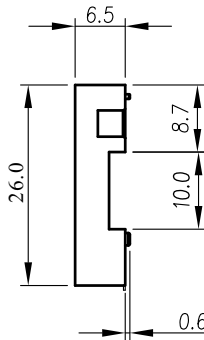
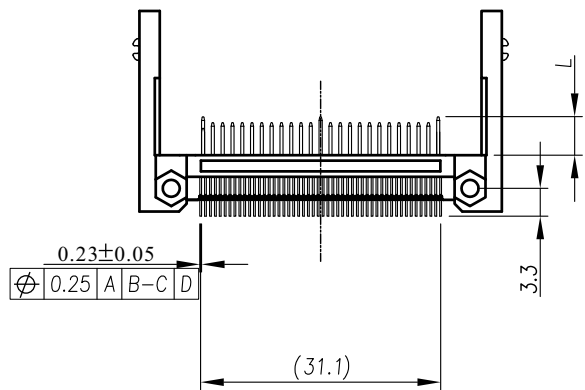
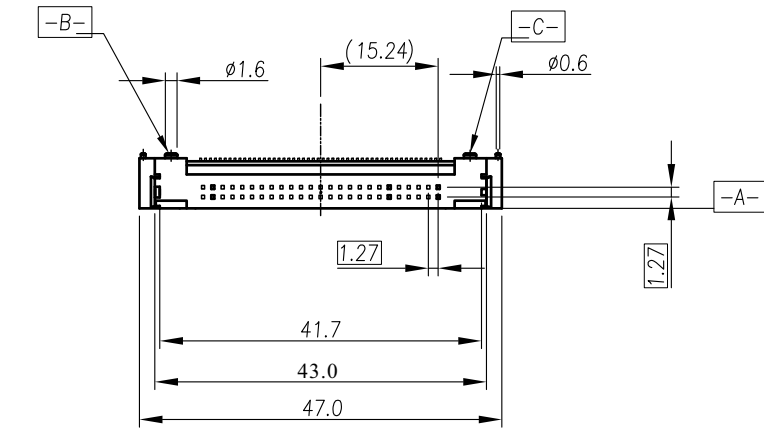
- a. Plating selection :  
1 : 15u" Gold Plating
- b. Type selection :  
2 : Type 2
- c. Color selection :  
W : White
- d. Type selection :  
R : Reverse Type
- e. Stand off :  
1 : 2 mm
- f. Dim A :  
0 : 38.74  
1 : 40.16
- g. Pack selection:  
D : Disk Pack

VERSION & EC DESCRIPTION			
DATE	VERSION	PAGE	DESCRIPTION
2005/03/29	A	34-36	Add CFP-504-X2-WR-1XD Plan


GENERAL TOLERANCE	DRAW DATE	2005/03/29 H. D. LI	PART NO
.X $\pm$ 0.30	DESIGN	H. D. LI	CFP-504-X2-WR-1XD
.XX $\pm$ 0.20	CHECKED	Y. M. LU	TITLE CF Card Conn.
.XXX $\pm$ 0.10	APPROVED	J. F. KANG	Type 2, SLIM Reverse Type
UNIT :mm			 宏揚精密有限公司 HOJAR PRECISION CO. : LTD.

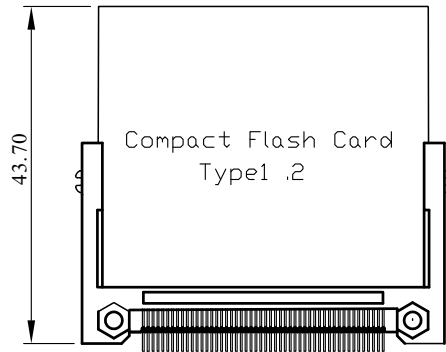
VERSION

A

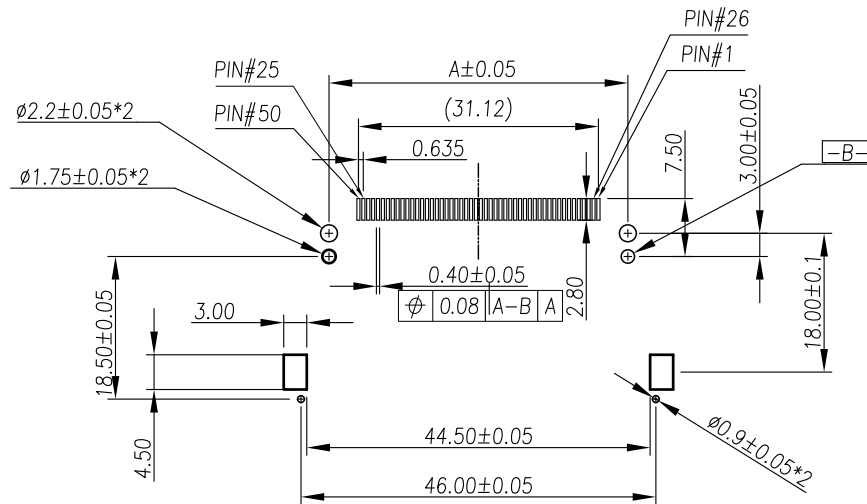
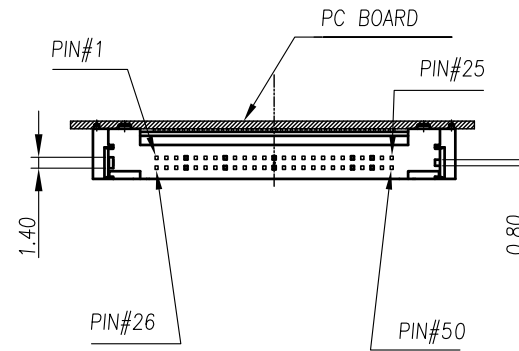


Part NO.	DIM A
CFP-504-X2-WR-10D	38.74
CFP-504-X2-WR-11D	40.16

GENAL TOLERANCE .X ± 0.30 .XX ± 0.20 .XXX ± 0.10	DRAW 2005/03/29 DATE H. D. LI	PART NO CFP-504-X2-WR-1XD
	DESIGN H. D. LI	TITLE CF Card Conn. Type 2, SLIM Reverse Type
	CHECKED Y. M. LU	
UNIT :mm	APPROVED J. F. KANG	 宏揚精密有限公司 HOJAR PRECISION CO. : LTD.




CARD INSERTION



P.C.B. Layout

Part NO.	DIM A
CFP-504-X2-WR-10D	38.74
CFP-504-X2-WR-11D	40.16

GENAL TOLERANCE .X $\pm 0.30$ .XX $\pm 0.20$ .XXX $\pm 0.10$	DRAW 2005/03/29 DATE H. D. LI	PART NO CFP-504-X2-WR-1XD
	DESIGN H. D. LI	TITLE CF Card Conn. Type 2, SLIM Reverse Type
	CHECKED Y. M. LU	
	APPROVED J. F. KANG	
UNIT :mm		 宏揚精密有限公司 HOJAR PRECISION CO. : LTD.