


ORDER INFORMATION:

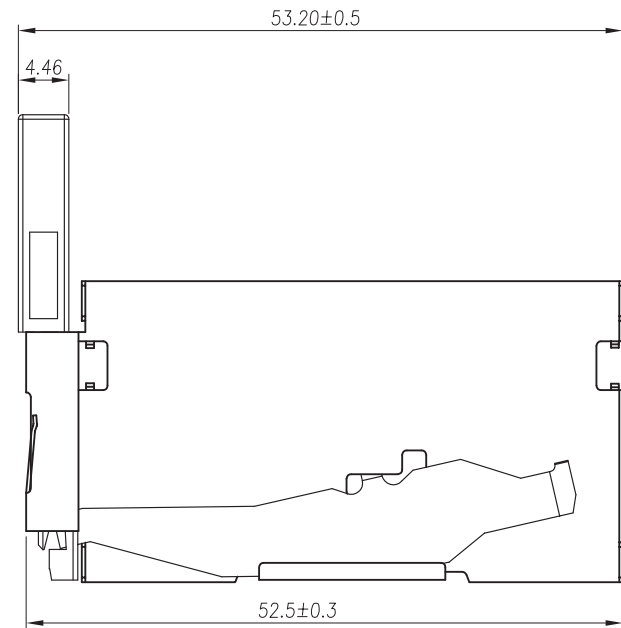
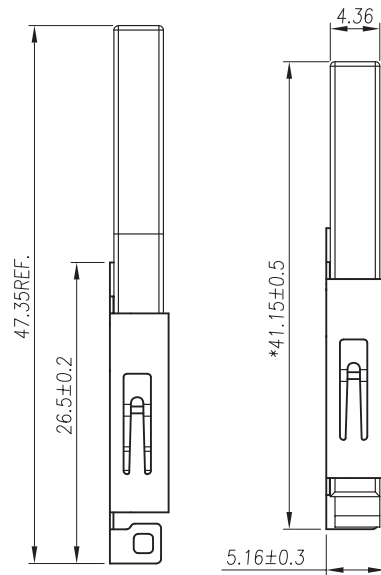
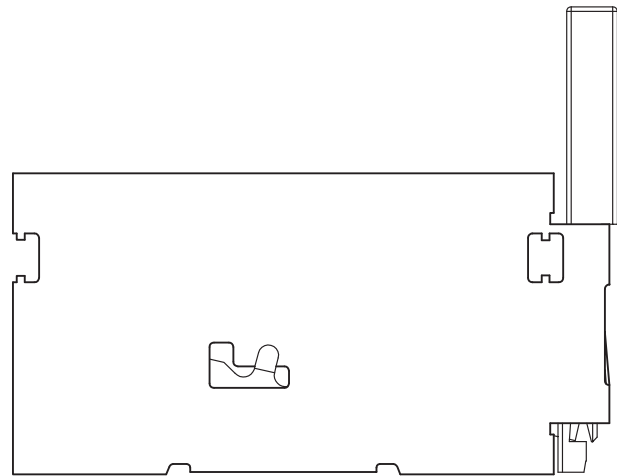
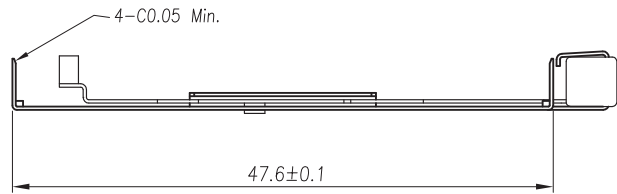
HCFC - $\frac{4}{a}$


NOTES:

COVER : SUS 304, T=0.3mm
 HEAVER : SUS 304, T=0.3mm
 EJECTOR : Hige temperature plastic UL94V-0
 COLOR : BLACK

- a. Type selection :
 4 : CF LEFT EJECTOR

GENAL TOLERANCE .X ± 0.30 .XX ± 0.20 .XXX± 0.10	DRAW	H. D. LI	PART NO	HCFC - 4
	DESIGN	H. D. LI	TITLE	CF Card Conn. LEFT EJECTOR (3M)
	CHECKED	Y. M. LU		
	APPROVED	J. F. KANG		
UNIT :mm			 宏揚精密有限公司 HOJAR PRECISION CO., LTD.	



GENAL TOLERANCE .X ± 0.30 .XX ± 0.20 .XXX ± 0.10	DRAW	H. D. LI	PART NO
	DESIGN	H. D. LI	HCFC - 4
	CHECKED	Y. M. LU	TITLE
	APPROVED	J. F. KANG	CF Card Conn. LEFT EJECTOR (3M)
UNIT :mm			 宏揚精密有限公司 HOJAR PRECISION CO., LTD.