

VERSION

A

**NOTES:**

COVER : SUS 304, T=0.3mm

HEAVER : SUS 304, T=0.3mm

EJECTOR SEAT : SUS 304, T=0.3mm

EJECTOR : Hige temperature plastic


COLOR : BLACK

**ORDER INFORMATION:**

HCFC -  $\frac{6}{a}$

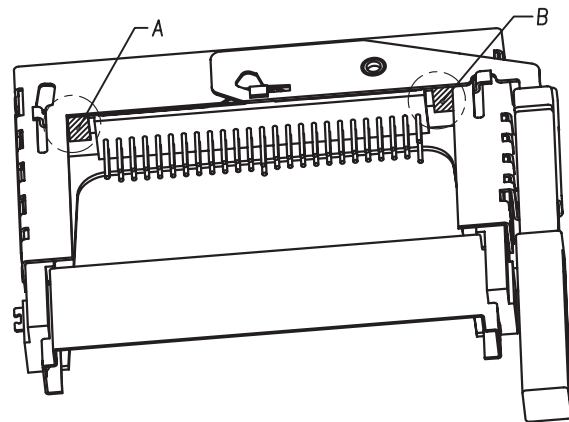
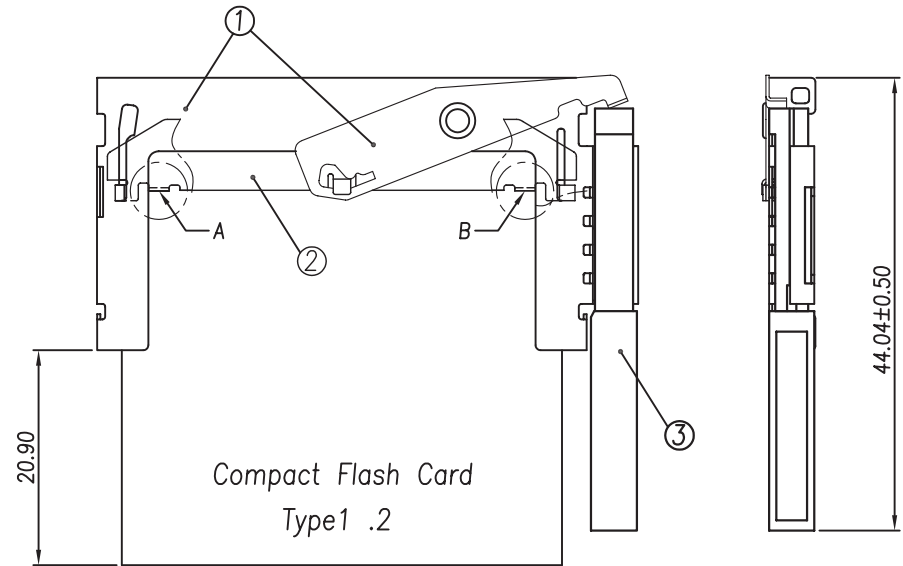
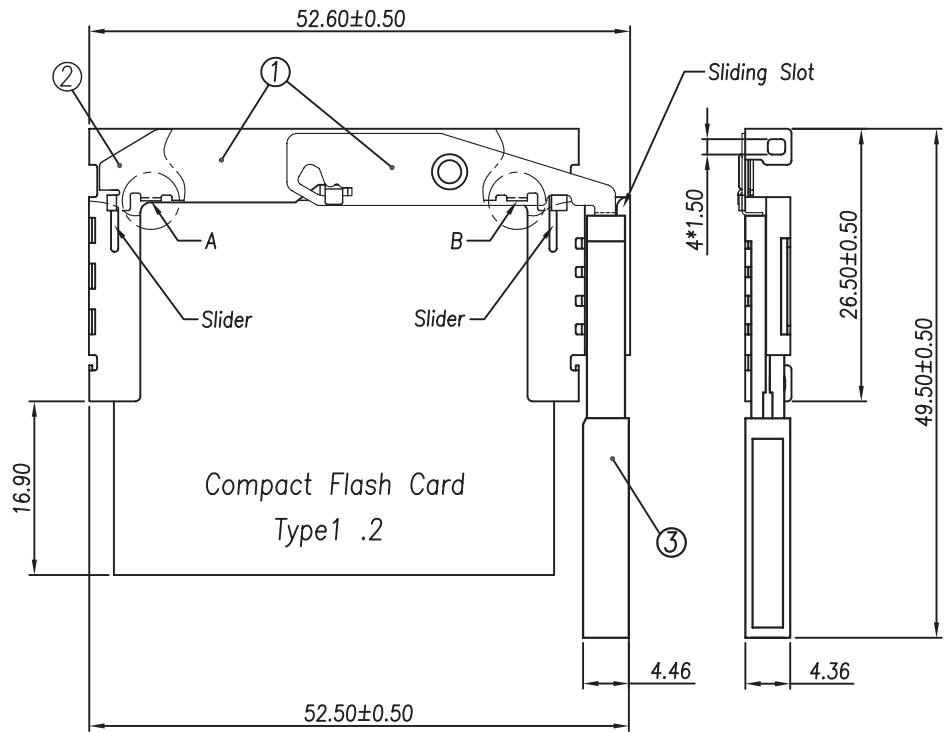
a. Type selection :

6 : PARALLEL BARS TYPE


GENAL TOLERANCE .X ± 0.30 .XX ± 0.20 .XXX± 0.10	DRAW H. D. LI	PART NO HCFC - 6
	DESIGN H. D. LI	TITLE PARALLEL BARS TYPE
	CHECKED Y. M. LU	
UNIT :mm	APPROVED J. F. KANG	 宏揚精密有限公司 HOJAR PRECISION CO., LTD.

VERSION

A

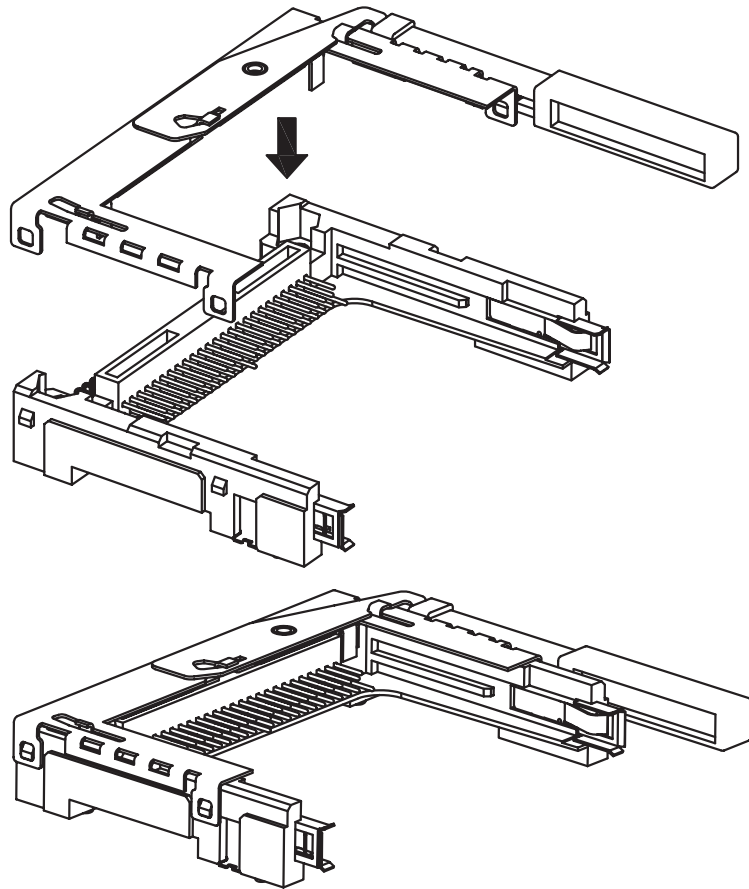


GENAL TOLERANCE	DRAW	PART NO
.X $\pm 0.30$	H. D. LI	HCFC - 6
.XX $\pm 0.20$	DESIGN	TITLE
.XXX $\pm 0.10$	H. D. LI	PARALLEL BARS TYPE
	CHECKED	APPROVED
	Y. M. LU	J. F. KANG
UNIT :mm		

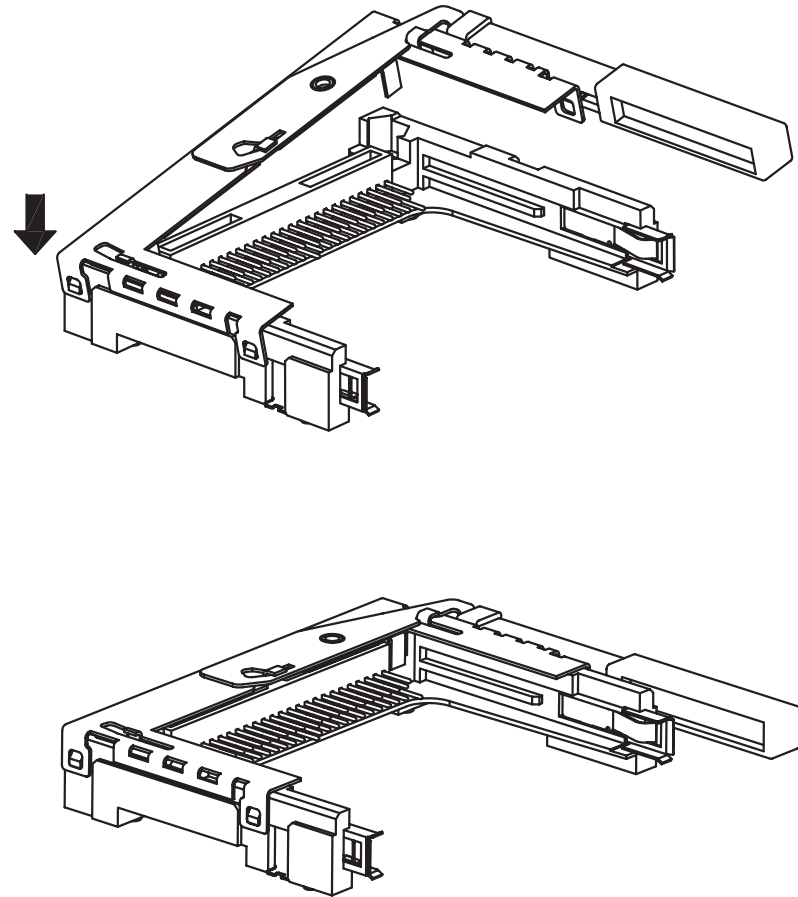

 宏揚精密有限公司  
 HOJAR PRECISION CO., LTD.

VERSION


A



NOT CORRECT ASSEMBLY DIRECTION



CORRECT ASSEMBLY DIRECTION

GENERAL TOLERANCE	DRAW	PART NO
.X ± 0.30	H. D. LI	HCFC - 6
.XX ± 0.20	DESIGN	TITLE
.XXX ± 0.10	H. D. LI	PARALLEL BARS TYPE
	CHECKED	Y. M. LU
	APPROVED	J. F. KANG
UNIT :mm		 宏揚精密有限公司 HOJAR PRECISION CO., LTD.