

ORDER INFORMATION:

SDC1 - 033 $\frac{X}{a}$ - $\frac{X}{b}$ - $\frac{A/B/C}{C}$ - $\frac{X}{d}$

a. Center Pin Diameter:

0:0.7 ϕ

b. Post selection:

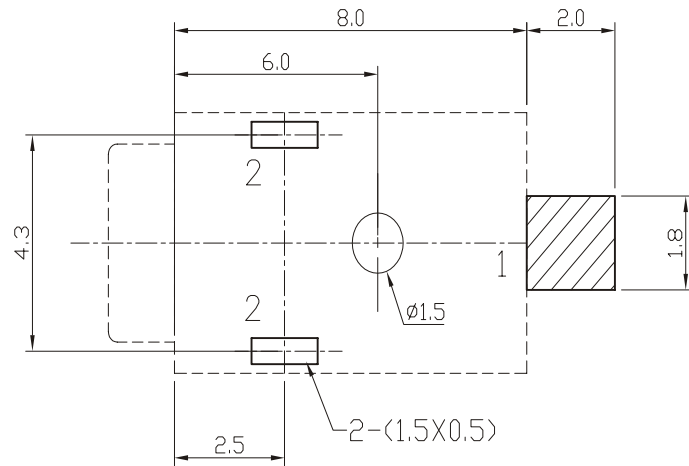
1: with post

c. Length/Width/Height:

A/B/C (A=9.5,B=5.0,C=3.3) (standard)

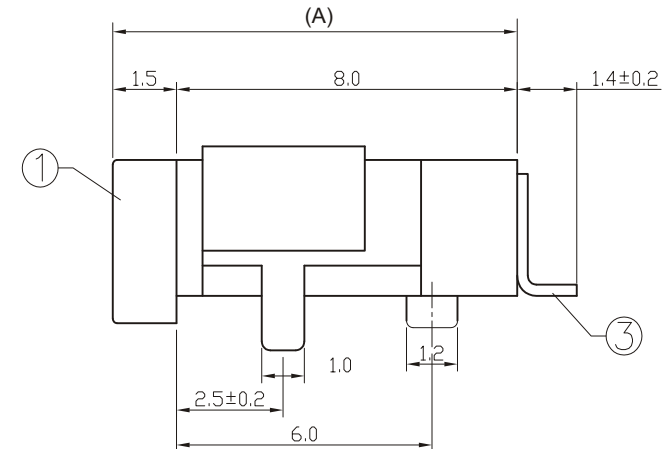
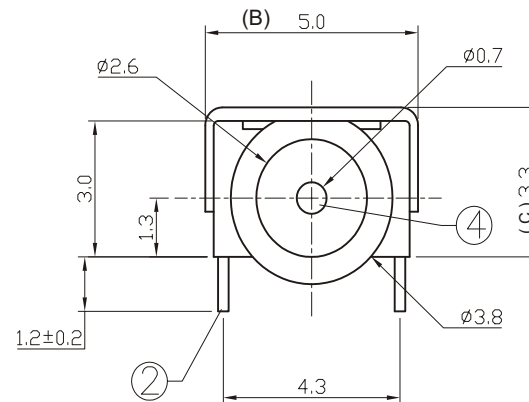
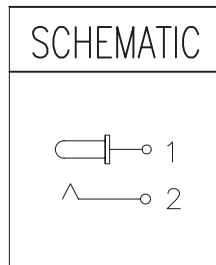
d. Pack selection:

R:Reel Pack




T:1.6 Dimensions of PC board holes

Tolerance : ± 0.1 (Printed-top view)



| | | | | | |
|-----|-------------|-----|----------|----------|--------|
| 4 | PIN | 1 | BRASS | MB:Cu Ni | PLATED |
| 3 | CURVE PIECE | 1 | BRONZE | MB:Cu Au | PLATED |
| 2 | SPRING | 1 | Be-Cu | MB:Cu Au | PLATED |
| 1 | HOUSING | 1 | PA9T | | |
| LTR | PART NAME | QTY | MATERIAL | REMARK | |

| | | |
|------------------------------|------------------------|---|
| GENAL TOLERANCE ± 0.2 | DRAW M. C. WANG | PART NO SDC1-033X-X-A/B/C-X |
| | DESIGN H. D. LI | TITLE DC POWER JACK (SMT) |
| | CHECKED Y. M. LU | |
| | APPROVED J. F. KANG | |
| UNIT :mm | |  宏揚精密有限公司 HOJAR PRECISION CO., LTD. |