

ORDER INFORMATION:

SDC1 - 042 $\frac{X}{a}$ - $\frac{X}{b}$ - $\frac{A/B/C}{c}$ - $\frac{X}{d}$

a. Center Pin Diameter:

1:1.0 ϕ

2:1.3 ϕ

b. Post selection:

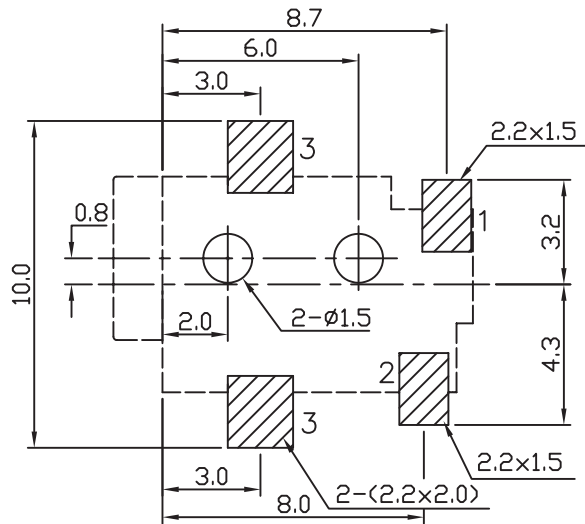
1: with post

c. Length/Width/Height:

A/B/C (A=11.0,B=6.6,C=5.0) (standard)

d. Pack selection:

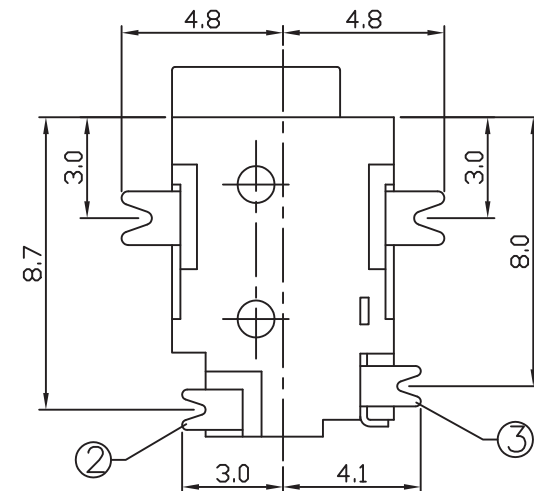
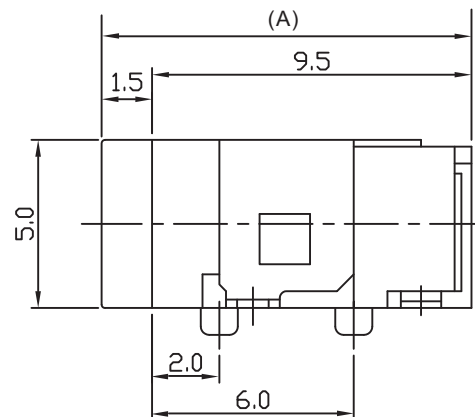
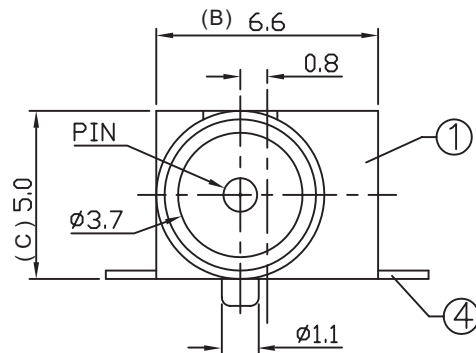
R:Reel Pack



SCHEMATIC		
SDC1-0421	$\phi 1.0$	
SDC1-0422	$\phi 1.3$	

T:1.6 Dimensions of PC board holes

Tolerance : ± 0.1 (Printed-top view)



4	CONTACT FOOT	1	BRASS	MB:Cu Ag PLATED
3	SPRING	1	BRONZE	MB:Cu Ag PLATED
2	PIN	1	BRONZE	MB:Cu Ag PLATED
1	HOUSING	1	PA9T	
LTR	PART NAME	QTY	MATERIAL	REMARK

GENAL TOLERANCE ± 0.2	DRAW M. C. WANG	PART NO SDC1-042X-X-A/B/C-X
	DESIGN H. D. LI	TITLE DC POWER JACK (SMT)
	CHECKED Y. M. LU	
	APPROVED J. F. KANG	
UNIT :mm		宏揚精密有限公司 HOJAR PRECISION CO., LTD.