

# ORDER INFORMATION:

SDC1 - 043  $\frac{X}{a}$  -  $\frac{X}{b}$  -  $\frac{A/B/C}{c}$  -  $\frac{X}{d}$

a. Center Pin Diameter:

A:2.0  $\phi$

B:2.5  $\phi$

b. Post selection:

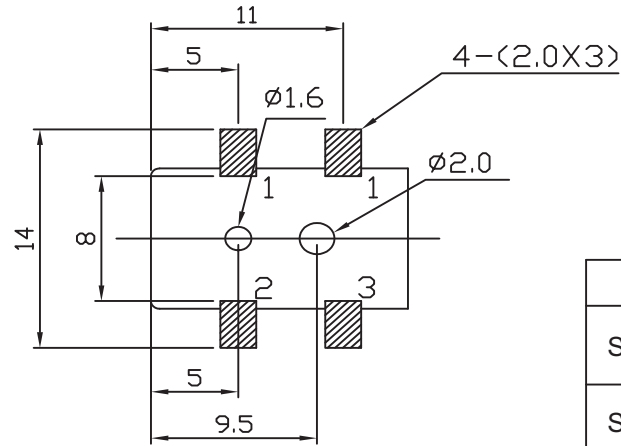
I: with post

c. Length/Width/Height:

A/B/C (A=14.7,B=9.0,C=11.0) (standard)

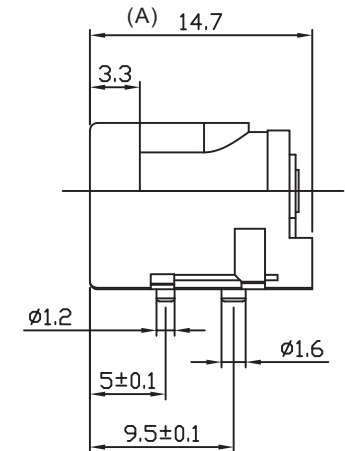
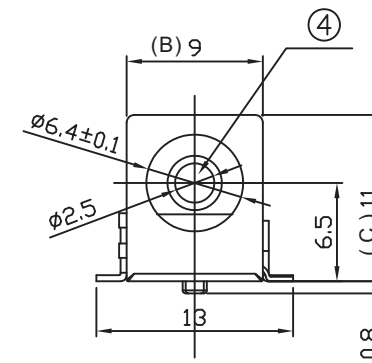
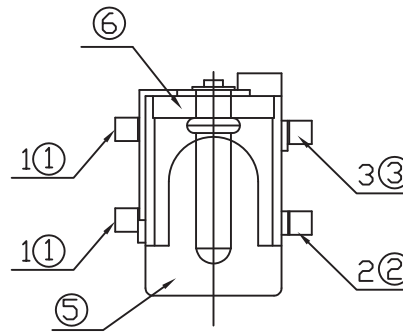
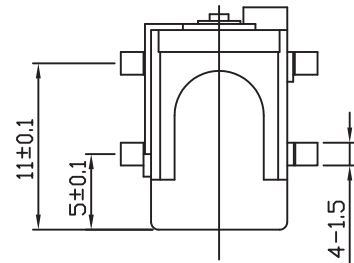
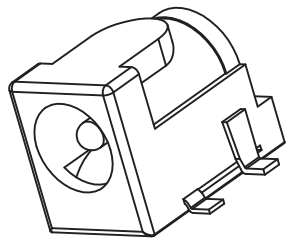
d. Pack selection:

R:Reel Pack



PCB LAYOUT TOP VIEW

SCHEMATIC		
SDC1-043A	$\phi 2.0$	
SDC1-043B	$\phi 2.5$	



6	HOUSING	1	PA9T	
5	COVER	1	PA9T	
4	PIN	1	H59 t=2.5	Ni-plated
3	TERMINAL	1	BRASS t=0.40	Ag-Plated
2	TERMINAL	1	PHOSPHOR BRONZE t=0.30	Ag-Plated
1	TERMINAL	1	BRASS t=0.40	Ag-Plated
LTR	PART NAME	QTY	MATERIAL	REMARK

GENAL TOLERANCE $\pm 0.2$	DRAW M. C. WANG	PART NO SDC1-043X-X-A/B/C-X
	DESIGN H. D. LI	TITLE DC POWER JACK (SMT)
	CHECKED Y. M. LU	
	APPROVED J. F. KANG	
UNIT :mm	宏揚精密有限公司 HOJAR PRECISION CO., LTD.	