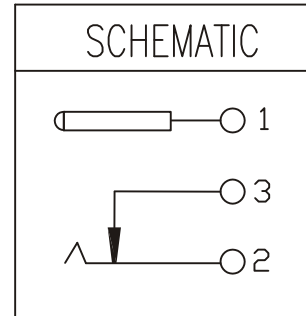
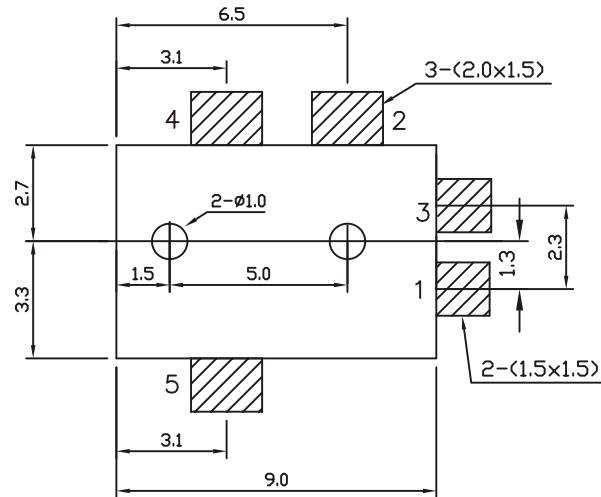


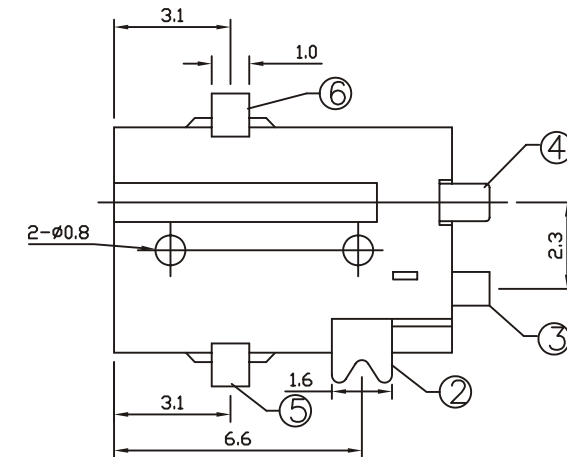
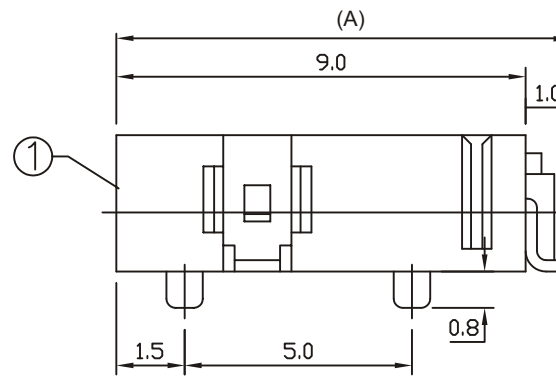
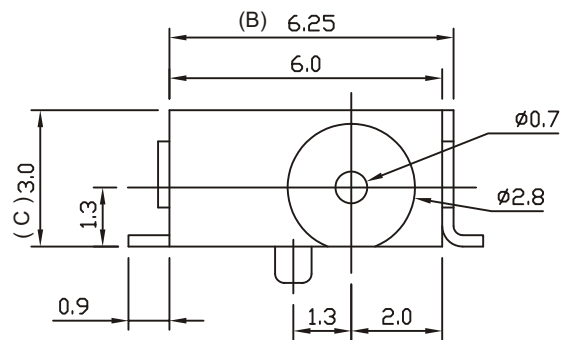
ORDER INFORMATION:

SDC1 - 052 $\frac{X}{a}$ - $\frac{X}{b}$ - $\frac{A/B/C}{c}$ - $\frac{X}{d}$

- a. Center Pin Diameter:
0:0.7 ϕ
- b. Post selection:
1: with post
- c. Length/Width/Height:
A/B/C (A=10.0,B=6.25,C=3.0) (standard)
- d. Pack selection:
R:Reel Pack



T:1.6 Dimensions of PC board holes
Tolerance : ± 0.1 (Printed-top view)



6	CONTACT FOOT	1	BRONZE	MB:Cu Ag	PLATED
5	CONTACT FOOT	1	BRONZE	MB:Cu Ag	PLATED
4	PIN	1	BRONZE	MB:Cu Ni	PLATED
3	CURVE PIECE	1	BRASS	MB:Cu Au	PLATED
2	SPRING	1	Be-Cu	MB:Cu Au	PLATED
1	HOUSING	1	PA9T		
LTR	PART NAME	QTY	MATERIAL	REMARK	

GENAL TOLERANCE ± 0.2	DRAW M. C. WANG	PART NO SDC1-052X-X-A/B/C-X
	DESIGN H. D. LI	TITLE DC POWER JACK (SMT)
	CHECKED Y. M. LU	
UNIT :mm	APPROVED J. F. KANG	宏揚精密有限公司 HOJAR PRECISION CO., LTD.