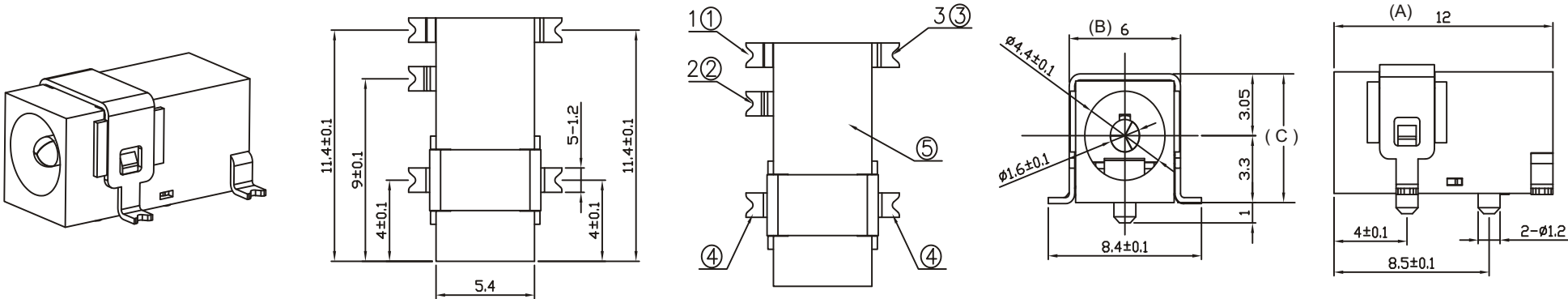
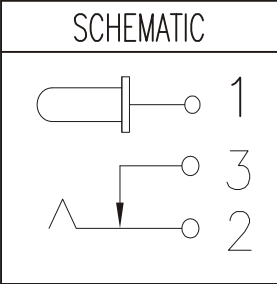
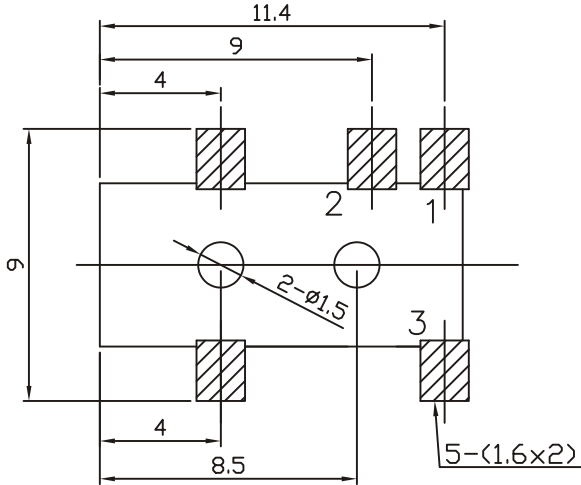


ORDER INFORMATION:

SDC1 - 054 $\frac{X}{a}$ - $\frac{X}{b}$ - $\frac{A/B/C}{C}$ - $\frac{X}{d}$

- a. Center Pin Diameter:
1: 1.6 ϕ
- b. Post selection:
1: with post
- c. Length/Width/Height:
A/B/C (A=12.0, B=6.0, C=6.35) (standard)
- d. Pack selection:
R: Reel Pack



5	HOUSING	1	PA (BLACK)	
4	TERMINAL	1	BRASS t=0.30	Ag-Plated
3	TERMINAL	1	BRASS t=0.30	Ag-Plated
2	TERMINAL	1	PHOSPHOR BRONZE t=0.30	Ag-Plated
1	TERMINAL	1	BRASS t=0.30	Ag-Plated
LTR	PART NAME	QTY	MATERIAL	REMARK

GENAL TOLERANCE ± 0.2	DRAW M. C. WANG	PART NO SDC1-054X-X-A/B/C-X
	DESIGN H. D. LI	TITLE DC POWER JACK (SMT)
	CHECKED Y. M. LU	
	APPROVED J. F. KANG	
UNIT :mm		宏揚精密有限公司 HOJAR PRECISION CO., LTD.