

**ORDER INFORMATION:**


ICS254105 -  $\frac{XXA}{a}$  - 1  $\frac{X}{b}$  -  $\frac{BX}{c}$  -  $\frac{X}{d}$

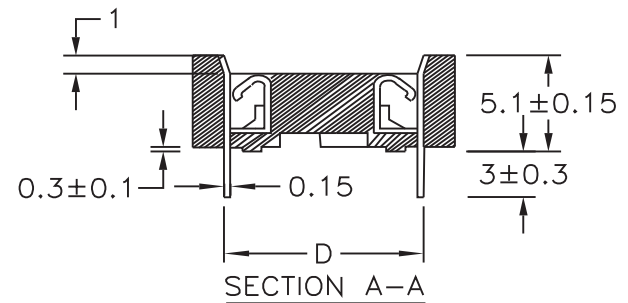
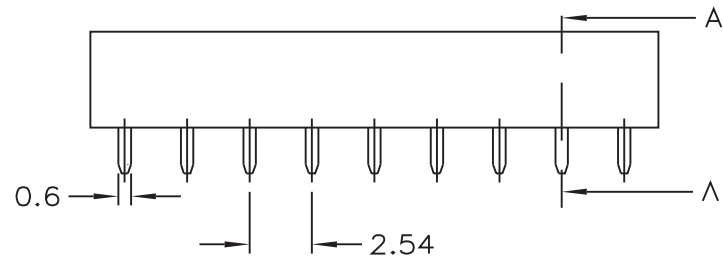
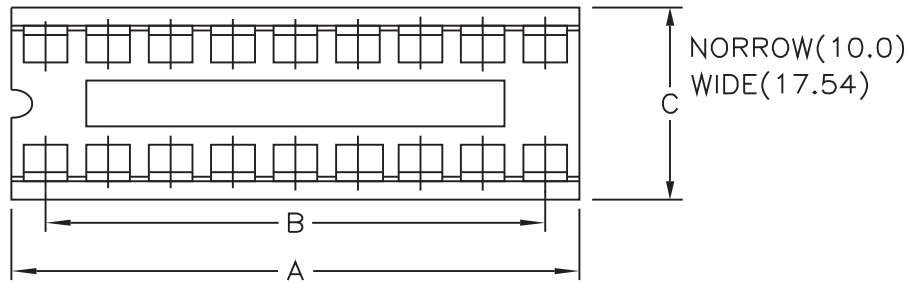
Insulator Material:PBT &30% Glass Fiber(UL 94V-0)  
 Contact Resistance:30MΩ at DC 100MA  
 Insulator Resistance:1000MΩ Min atDC 250V  
 Current Rating:1 AMP  
 Dielectric Withstanding Voltage:AC 500V For 1minute  
 Temperature Rating: -55C ~+150C  
 Conract Material:Phospher Bronze

- a. Pin of numbers:  
06,08,14,16,18,20,22,24,28  
32,40,42,48
- b. Dimension'D'  
0:7.62  
1:15.24 (24.28.32.40.42.48)  
2:15.24 space (28.32.40)


※註7.62 20PIN以下中間無橫桿  
 7.62 20PIN以上中間皆有橫桿

- c. Plastic material  
P : PBT
- d. Pack selection:  
T : Tube Pack

GENAL TOLERANCE X. ± .X ± .XX ± .XXX ±	DRAW 2004/08/17 DATE H. C. SU	PART NO ICS254105-XXA-1X-BX-X
	DESIGN H. C. SU	TITLE 2.54mm DIP IC SOCKET
	CHECKED Y. M. LU	
	APPROVED J. F. KANG	 宏揚精密有限公司 HOJAR PRECISION CO. : LTD.
UNIT :mm		



P		A±0.2	B±0.2	C±0.2	D±0.2	P		A±0.2	B±0.2	C±0.2	D±0.2
6	N	7.56	5.08	10.00	7.62	28	N	35.46	33.02	10.00	7.62
8	N	10.06	7.62	10.00	7.62	32	N	40.54	38.10	10.00	7.62
14	N	17.68	12.54	10.00	7.62	24	W	30.38	27.94	17.54	15.24
16	N	20.22	17.78	10.00	7.62	28	W	35.46	33.02	17.54	15.24
18	N	22.76	20.32	10.00	7.62	32	W	40.54	38.10	17.54	15.24
20	N	25.30	22.86	10.00	7.62	40	W	50.70	46.24	17.54	15.24
22	N	27.84	25.40	10.00	7.62	42	W	53.24	50.80	17.54	15.24
24	N	30.38	27.94	10.00	7.62	48	W	60.38	58.42	17.54	15.24

GENERAL TOLERANCE X. ± .XX ± .XXX ±	DRAW DATE	2004/08/17 H. C. SU	PART NO	ICS254105-XXA-1X-BX-X
	DESIGN	H. C. SU	TITLE	2.54mm DIP IC SOCKET
	CHECKED	Y. M. LU	 宏揚精密有限公司 HOJAR PRECISION CO., LTD.	
	APPROVED	J. F. KANG		
UNIT :mm				