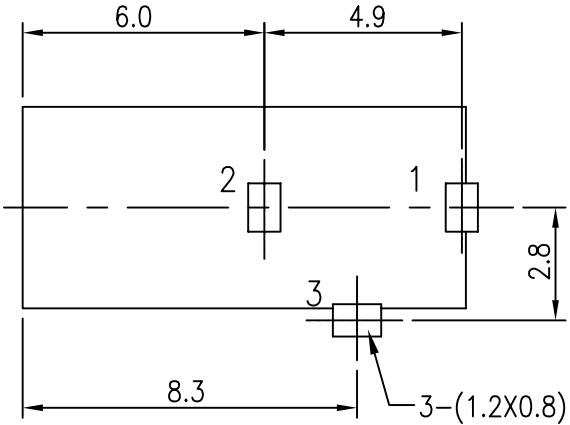


ORDER INFORMATION:

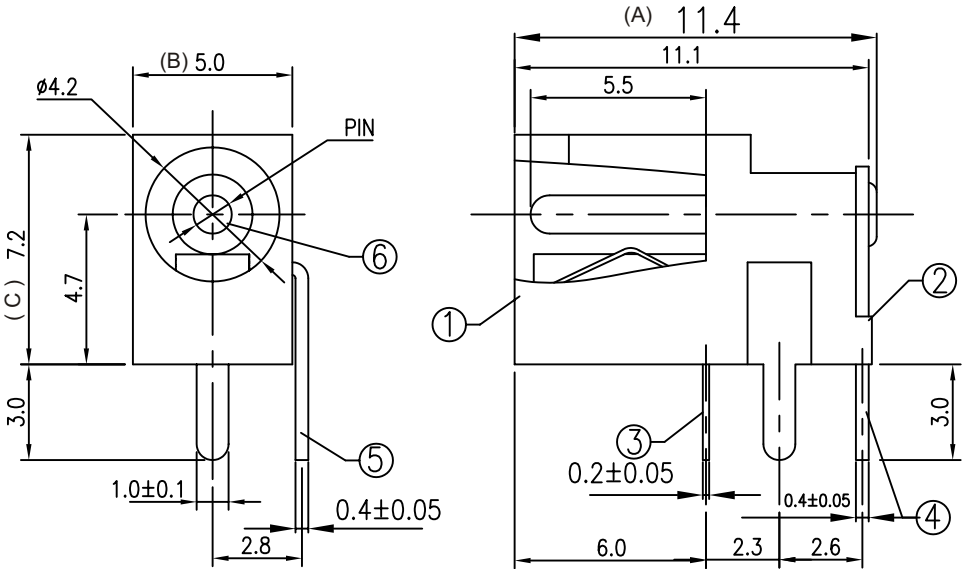


DC1 - 032 $\frac{X}{a}$ - $\frac{X}{b}$ - $\frac{A/B/C}{c}$ - $\frac{X}{d}$


- a. Center Pin Diameter:
1:1.0 \varnothing
2:1.3 \varnothing
- b. Post selection:
0: without post
- c. Length/Width/Height:
A/B/C (A=11.4,B=5.0,C=7.2) (standard)
- d. Pack selection:
B:Bag Pack

T:1.6 Dimensions of PC board holes
Tolerance : ± 0.1 (Printed-top view)

CAT. NO.	PIN	SCHEMATIC
DC1-0321	$\varnothing 1.0$	
DC1-0322	$\varnothing 1.3$	



6	PIN	1	C2680	MB:Cu Ni PLATED
5	CURVE PIECE	1	C2680	MB:Cu Ag PLATED
4	FLAT PIECE	1	C2680	MB:Cu Ag PLATED
3	SPRING PIECE	1	BRONZE	MB:Cu Ag PLATED
2	COVER	1	PBT	
1	HOUSING	1	PBT	
LTR	PART NAME	QTY	MATERIAL	REMARK

GENAL TOLERANCE ± 0.3	DRAW M. C. WANG	PART NO DC1-032X-X-A/B/C-X
	DESIGN H. D. LI	TITLE DC POWER JACK (DIP)
	CHECKED Y. M. LU	
	APPROVED J. F. KANG	
UNIT :mm	 宏揚精密有限公司 HOJAR PRECISION CO., LTD.	