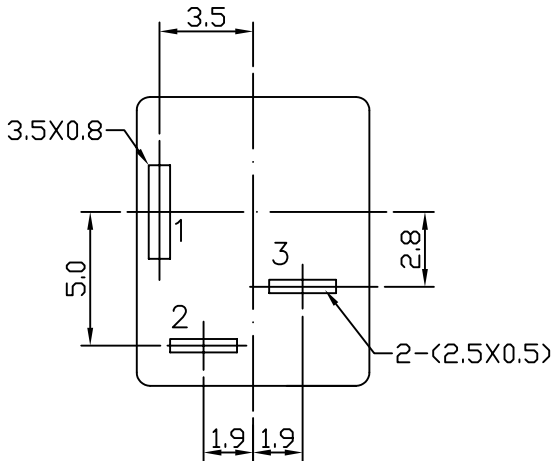


ORDER INFORMATION:

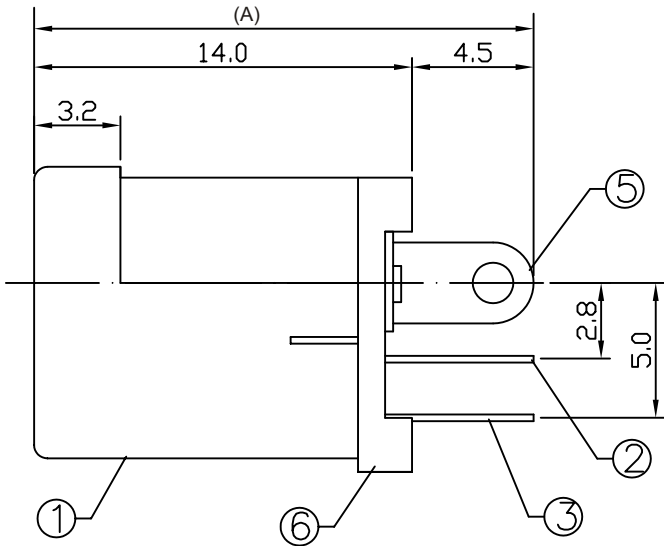
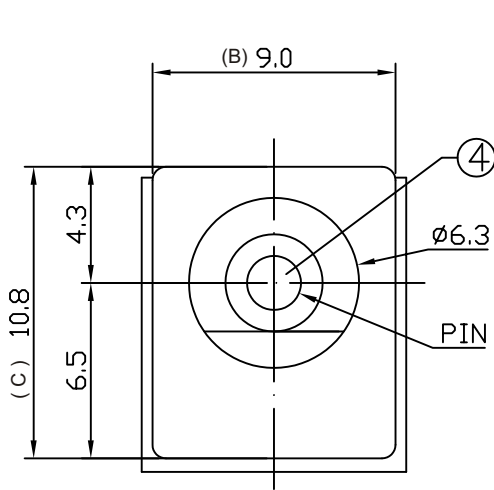
DC1 - 033V $\frac{X}{a}$ - $\frac{X}{b}$ - $\frac{A/B/C}{c}$ - $\frac{X}{d}$

- a. Center Pin Diameter:
A:2.0 ϕ
B:2.5 ϕ
- b. Post selection:
0: without post
- c. Length/Width/Height:
A/B/C (A=18.5,B=9.0,C=10.8) (standard)
- d. Pack selection:
B:Bag Pack



T:1.6 Dimensions of PC board holes
Tolerance : ± 0.1 (Printed-top view)

CAT. NO.	PIN	SCHEMATIC
DC1-033VA	$\phi 2.0$	
DC1-033VB	$\phi 2.5$	



6	COVER	1	PBT	
5	CONTACT FOOT	1	C2680	MB:Cu Ag PLATED
4	PIN	1	C2680	MB:Cu Ni PLATED
3	SPRING	1	C5210	MB:Cu Ag PLATED
2	FLAT PIECE	1	C2680	MB:Cu Ag PLATED
1	HOUSING	1	PBT	
LTR	PART NAME	QTY	MATERIAL	REMARK

GENAL TOLERANCE ± 0.3	DRAW M. C. WANG	PART NO DC1-033VX-X-A/B/C-X
	DESIGN H. D. LI	TITLE DC POWER JACK (DIP)
	CHECKED Y. M. LU	
UNIT :mm	APPROVED J. F. KANG	宏揚精密有限公司 HOJAR PRECISION CO., LTD.