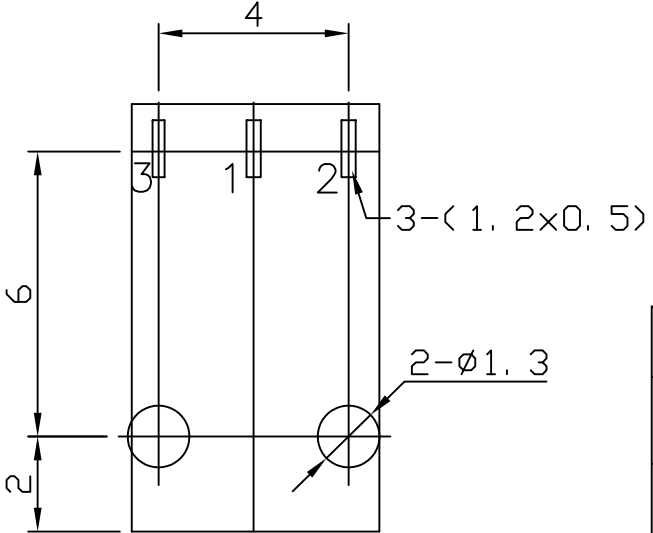


ORDER INFORMATION:

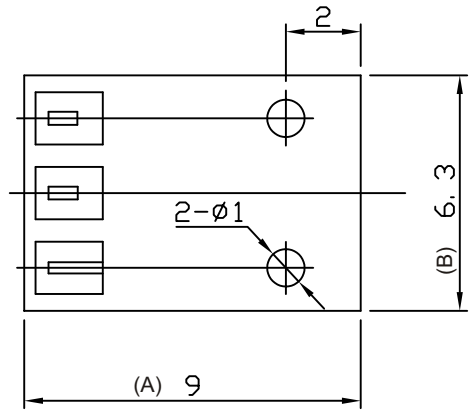
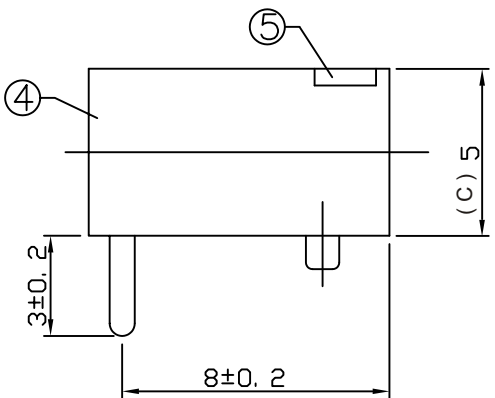
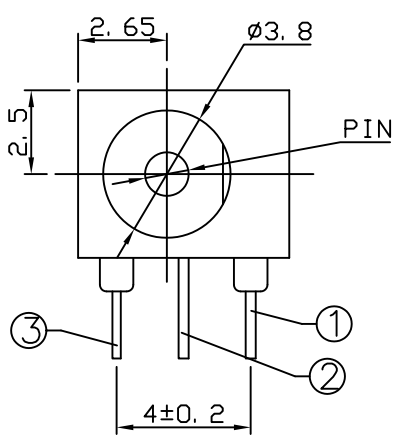
DC1 - 033 $\frac{X}{a}$ - $\frac{X}{b}$ - $\frac{A/B/C}{C}$ - $\frac{X}{d}$

- a. Center Pin Diameter:
1:1.0 ϕ
2:1.3 ϕ
- c. Post selection:
1: with post
- d.Length/Width/Height:
A/B/C (A=9.0,B=6.3,C=5.0) (standard)
- e. Pack selection:
B:Bag Pack



CAT. NO.	PIN	SCHEMATIC
DC1-0331	$\phi 1.0$	
DC1-0332	$\phi 1.3$	

T:1.6 Dimensions of PC board holes
Tolerance : ± 0.1 (Printed-top view)



5	COVER	1	PBT	
4	HOUSING	1	PBT	MB:Cu Ag PLATED
3	CURVE PIECE	1	C2680	MB:Cu Ag PLATED
2	PIN	1	C2680	MB:Cu Ni PLATED
1	SPRING	1	BRONZE	
LTR	PART NAME	QTY	MATERIAL	REMARK

GENAL TOLERANCE ± 0.3	DRAW M. C. WANG	PART NO DC1-033X-X-A/B/C-X
	DESIGN H. D. LI	TITLE DC POWER JACK (DIP)
	CHECKED Y. M. LU	
UNIT :mm	APPROVED J. F. KANG	宏揚精密有限公司 HOJAR PRECISION CO., LTD.