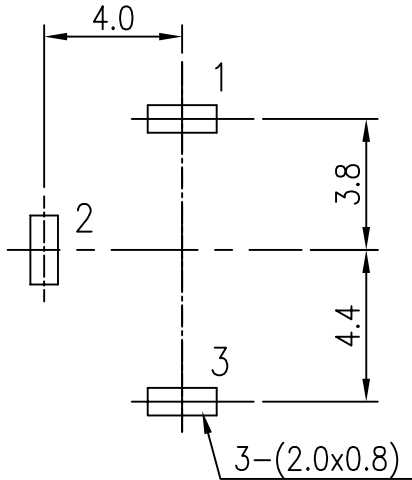


# ORDER INFORMATION:

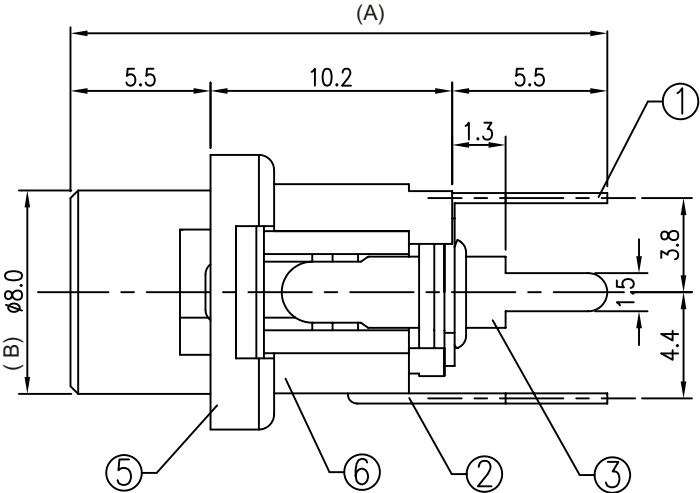
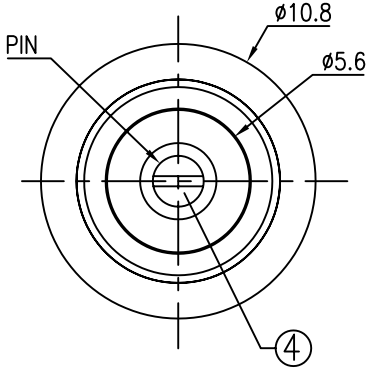
DC1 - 034V  $\frac{X}{a}$  -  $\frac{X}{b}$  -  $\frac{A}{c}$  -  $\frac{X}{d}$

- a. Center Pin Diameter:  
A:2.0  $\varnothing$   
B:2.5  $\varnothing$
- c. Post selection:  
0: without post
- d. Length/Width:  
A/B (A=21.2,B=8.0) (standard)
- e. Pack selection:  
B:Bag Pack



T:1.6 Dimensions of PC board holes  
Tolerance :  $\pm 0.1$ (Printed-top view)

CAT. NO.	PIN	SCHEMATIC
DC1-034VA	$\varnothing 2.0$	1
DC1-034VB	$\varnothing 2.5$	3
		2



LTR	PART NAME	QTY	MATERIAL	REMARK
6	HOUSING	1	PBT	
5	AXIS SUPPORT	1	C2680	MB:Cu Ni PLATED
4	PIN	1	C2680	MB:Cu Ni PLATED
3	SPRING	1	C5191	MB:Cu Ag PLATED
2	CURVE PIECE	1	C2680	MB:Cu Ag PLATED
1	FLAT PIECE	1	C2680	MB:Cu Ag PLATED

GENAL TOLERANCE $\pm 0.3$	DRAW M. C. WANG	PART NO DC1-034VX-X-A/B-X
	DESIGN H. D. LI	TITLE DC POWER JACK (DIP)
	CHECKED Y. M. LU	宏揚精密有限公司 HOJAR PRECISION CO., LTD.
UNIT :mm	APPROVED J. F. KANG	