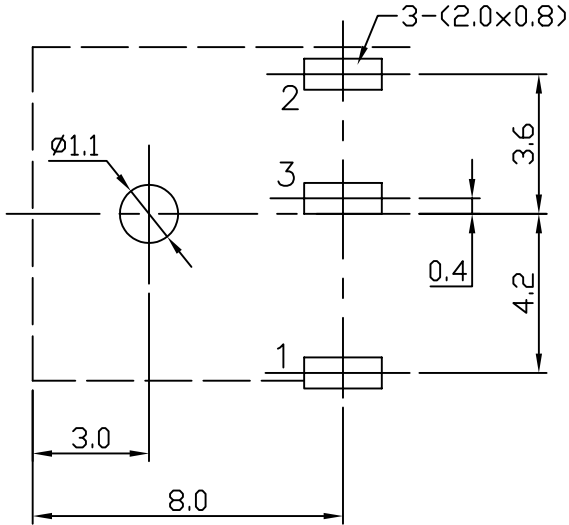


ORDER INFORMATION:

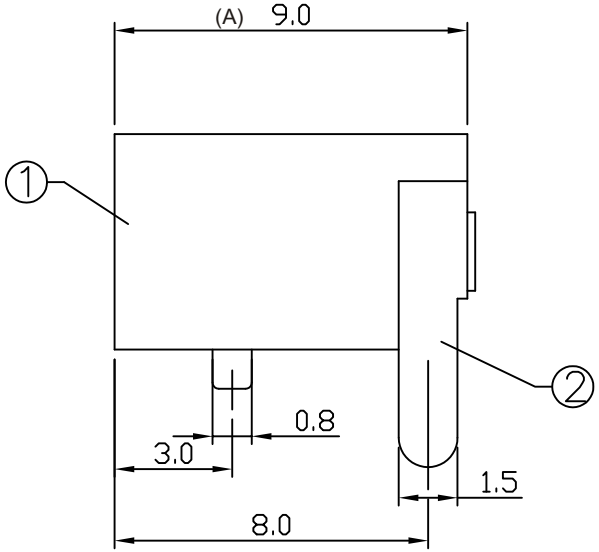
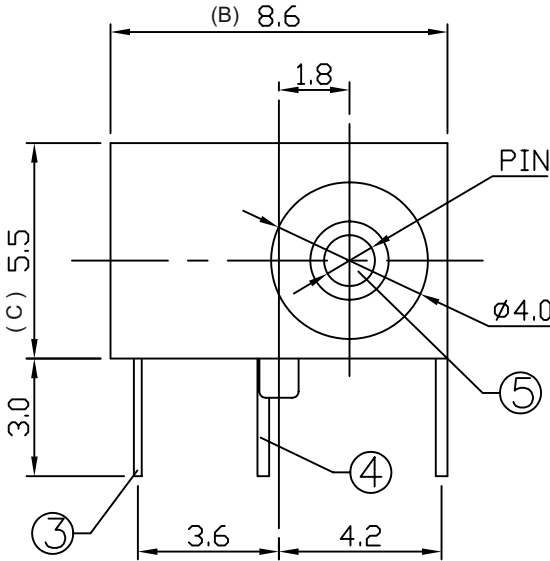
DC1 - 034 $\frac{X}{a}$ - $\frac{X}{b}$ - $\frac{A/B/C}{C}$ - $\frac{X}{d}$

- a. Center Pin Diameter:
1: 1.0 ϕ
2: 1.3 ϕ
- b. Post selection:
1: with post
- c. Length/Width/Height:
A/B/C (A=9.0, B=8.6, C=5.5) (standard)
- d. Pack selection:
B: Bag Pack



T:1.6 Dimensions of PC board holes
Tolerance : ± 0.1 (Printed-top view)

CAT. NO.	PIN	SCHEMATIC
DC1-0341	$\phi 1.0$	
DC1-0342	$\phi 1.3$	



5	PIN	1	C2680	MB:Cu Ni PLATED
4	CURVE PIECE	1	C2680	MB:Cu Ag PLATED
3	SPRING	1	SUS 301	
2	FLAT PIECE	1	C2680	MB:Cu Ag PLATED
1	HOUSING	1	PBT	
LTR	PART NAME	QTY	MATERIAL	REMARK

GENAL TOLERANCE ± 0.3	DRAW M. C. WANG	PART NO DC1-034X-X-A/B/C-X
	DESIGN H. D. LI	TITLE DC POWER JACK (DIP)
	CHECKED Y. M. LU	
	APPROVED J. F. KANG	
UNIT :mm	宏揚精密有限公司 HOJAR PRECISION CO., LTD.	