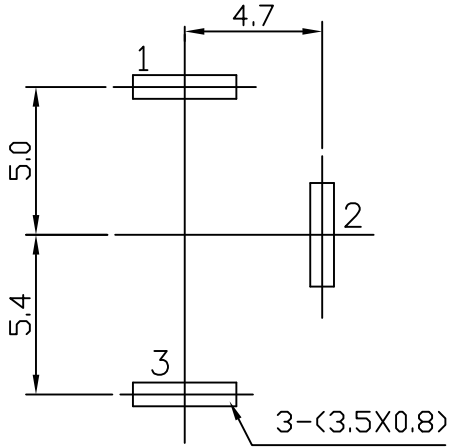


# ORDER INFORMATION:

DC1 - 035V  $\frac{X}{a}$  -  $\frac{X}{b}$  -  $\frac{A/B/C}{c}$  -  $\frac{X}{d}$

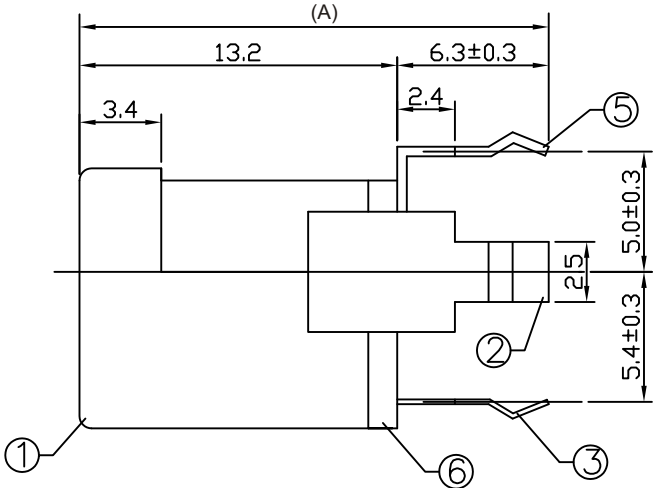
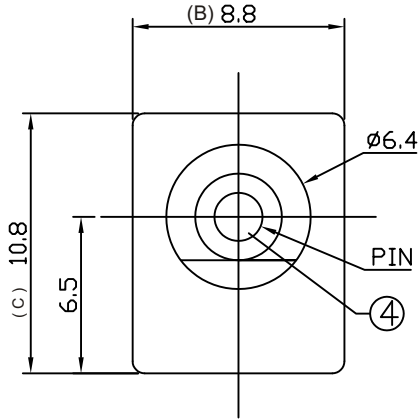
- a. Center Pin Diameter:  
 A:2.0  $\phi$   
 B:2.35  $\phi$   
 C:2.5  $\phi$
- c. Post selection:  
 0: without post
- d.Length/Width/Height:  
 A/B/C (A=19.5,B=8.8,C=10.8) (standard)
- e. Pack selection:  
 B:Bag Pack



T:1.6 Dimensions of PC board holes

Tolerance :  $\pm 0.1$ (Printed-top view)

CAT. NO.	PIN	SCHEMATIC
DC1-035VA	$\phi 2.0$	
DC1-035VB	$\phi 2.35$	
DC1-035VC	$\phi 2.5$	



6	COVER	1	PF	
5	CONTACT FOOT	1	C2680	MB:Cu Ag PLATED
4	PIN	1	C2680	MB:Cu Ni PLATED
3	SPRING	1	SUS 301	
2	FLAT PIECE	1	C2680	MB:Cu Ag PLATED
1	HOUSING	1	PBT	
LTR	PART NAME	QTY	MATERIAL	REMARK

GENAL TOLERANCE $\pm 0.3$	DRAW M. C. WANG	PART NO DC1-035VX-X-A/B/C-X
	DESIGN H. D. LI	TITLE DC POWER JACK (DIP)
	CHECKED Y. M. LU	
	APPROVED J. F. KANG	
UNIT :mm		宏揚精密有限公司 HOJAR PRECISION CO., LTD.