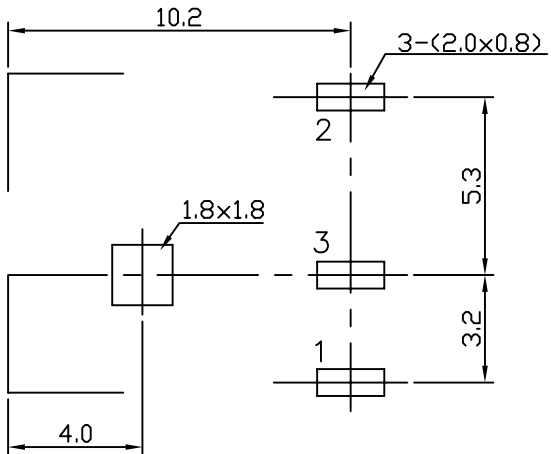


ORDER INFORMATION:

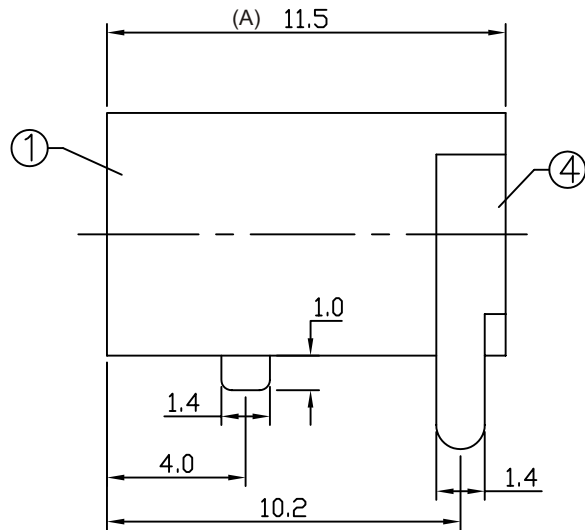
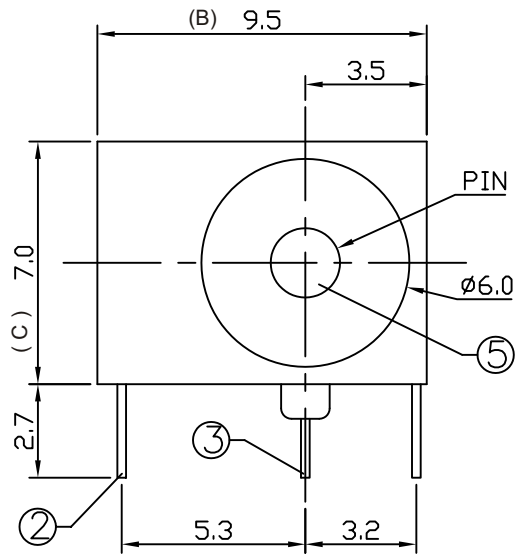
$$DC1 - 036 \frac{X}{a} - \frac{X}{b} - \frac{A/B/C}{c} - \frac{X}{d}$$

- a. Center Pin Diameter:
A:2.0 \emptyset
B:2.5 \emptyset
- b. Post selection:
1: with post
- c. Length/Width/Height:
A/B/C (A=11.5,B=9.5,C=7.0) (standard)
- d. Pack selection:
B:Bag Pack



T:1.6 Dimensions of PC board holes
Tolerance : ± 0.1 (Printed-top view)

CAT. NO.	PIN	SCHEMATIC
DC1-036A	$\emptyset 2.0$	
DC1-036B	$\emptyset 2.5$	



5	PIN	1	C2680	MB:Cu Ni PLATED
4	CONTACT FOOT	1	C2680	MB:Cu Ag PLATED
3	CURVE PIECE	1	C2680	MB:Cu Ag PLATED
2	SPRING PIECE	1	C5191	MB:Cu Ag PLATED
1	HOUSING	1	PBT	
LTR	PART NAME	QTY	MATERIAL	REMARK

GENAL TOLERANCE ± 0.3	DRAW M. C. WANG	PART NO DC1-036X-X-A/B/C-X
	DESIGN H. D. LI	TITLE DC POWER JACK (DIP)
	CHECKED Y. M. LU	
UNIT :mm	APPROVED J. F. KANG	宏揚精密有限公司 HOJAR PRECISION CO., LTD.