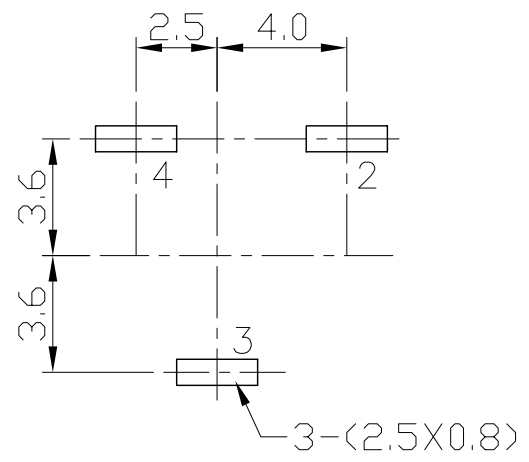


ORDER INFORMATION:

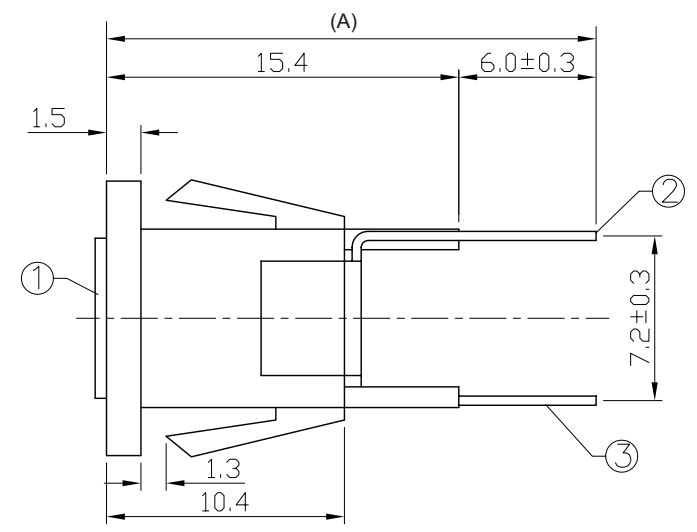
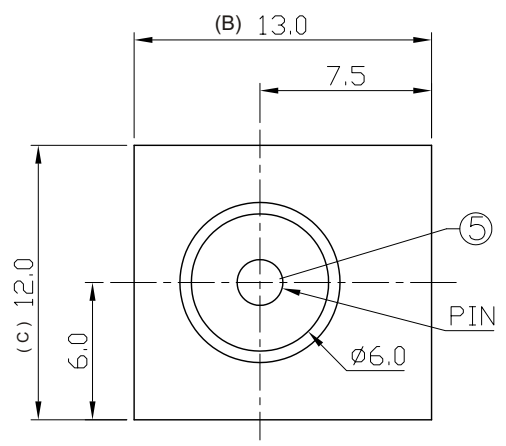
DC1 - 038V $\frac{X}{a}$ - $\frac{X}{b}$ - $\frac{A/B/C}{c}$ - $\frac{X}{d}$

- a. Center Pin Diameter:
A:2.0 \varnothing
B:2.5 \varnothing
- b. Post selection:
0: without post
- c. Length/Width/Height:
A/B/C (A=21.4,B=13.0,C=12.0) (standard)
- d. Pack selection:
B:Bag Pack



T:1.6 Dimensions of PC board holes
Tolerance : ± 0.1 (Printed-top view)

CAT. NO.	PIN	SCHEMATIC
DC1-038VA	$\varnothing 2.0$	
DC1-038VB	$\varnothing 2.5$	



5	PIN	1	BRASS	MB:Cu	Ni	PLATED
4	CURVE PIECE	1	BRASS	MB:Cu	Ag	PLATED
3	FLAT PIECE	1	BRASS	MB:Cu	Ag	PLATED
2	SPRING	1	BRONZE	MB:Cu	Ag	PLATED
1	HOUSING	1	PBT			
LTR	PART NAME	QTY	MATERIAL	REMARK		

GENAL TOLERANCE ± 0.3	DRAW	M. C. WANG	PART NO	DC1-038VX-X-A/B/C-X
	DESIGN	H. D. LI	TITLE	DC POWER JACK (DIP)
	CHECKED	Y. M. LU	宏揚精密有限公司 HOJAR PRECISION CO., LTD.	
APPROVED	J. F. KANG			
UNIT :mm				