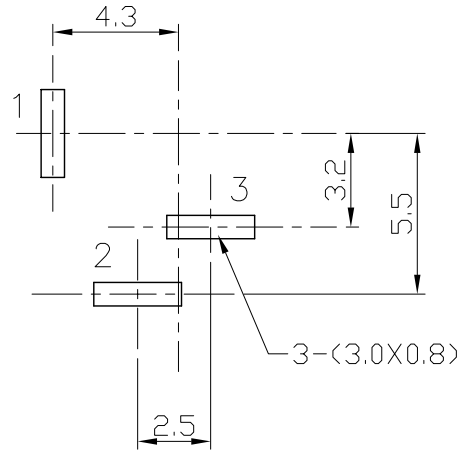


# ORDER INFORMATION:

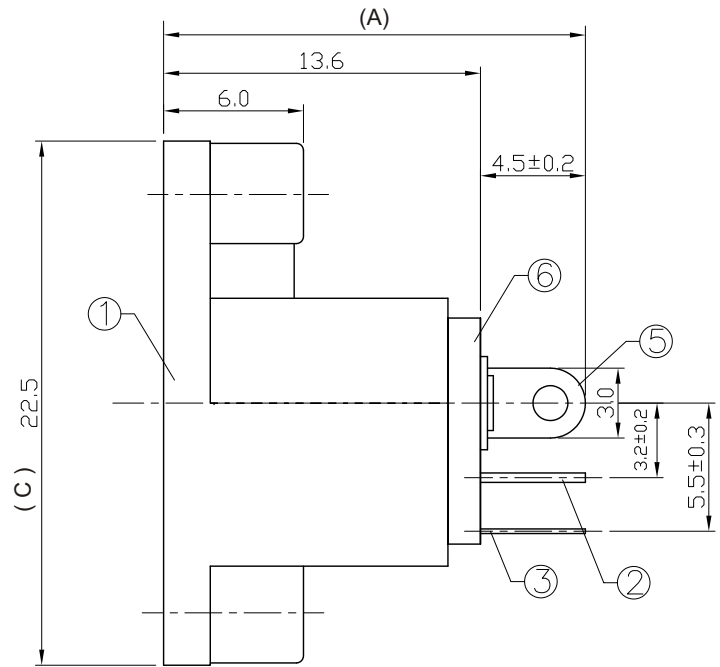
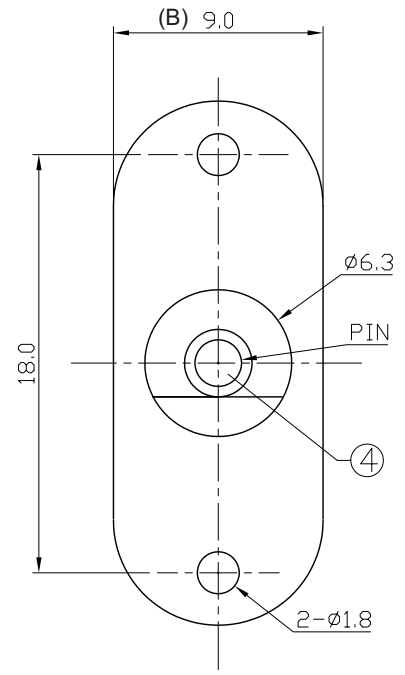
DC1 - 039VX -X -  $\frac{A}{a} \frac{B}{b} \frac{C}{c} \frac{X}{d}$

- a. Center Pin Diameter:  
A:2.0  $\emptyset$   
B:2.5  $\emptyset$
- b. Post selection:  
0: without post
- c. Length/Width/Height:  
A/B/C (A=18.1,B=9.0,C=22.5) (standard)
- d. Pack selection:  
B:Bag Pack



T:1.6 Dimensions of PC board holes  
Tolerance :  $\pm 0.1$ (Printed-top view)

| CAT. NO.  | PIN             | SCHEMATIC |
|-----------|-----------------|-----------|
| DC1-039VA | $\emptyset 2.0$ | 1         |
| DC1-039VB | $\emptyset 2.5$ | 3         |
|           |                 | 2         |



| LTR | PART NAME    | QTY | MATERIAL | REMARK          |
|-----|--------------|-----|----------|-----------------|
| 6   | COVER        | 1   | PBT      |                 |
| 5   | AXIS SUPPORT | 1   | C2680    | MB:Cu Sn PLATED |
| 4   | PIN          | 1   | C2680    | MB:Cu Ni PLATED |
| 3   | SPRING       | 1   | C5191    | MB:Cu Sn PLATED |
| 2   | FLAT PIECE   | 1   | C2680    | MB:Cu Sn PLATED |
| 1   | HOUSING      | 1   | PBT      |                 |

| GENAL TOLERANCE | DRAW                | PART NO                               |
|-----------------|---------------------|---------------------------------------|
| $\pm 0.3$       | M. C. WANG          | DC1-039VX-X-A/B/C-X                   |
|                 | DESIGN H. D. LI     | TITLE DC POWER JACK (DIP)             |
|                 | CHECKED Y. M. LU    |                                       |
| UNIT :mm        | APPROVED J. F. KANG | 宏揚精密有限公司<br>HOJAR PRECISION CO., LTD. |