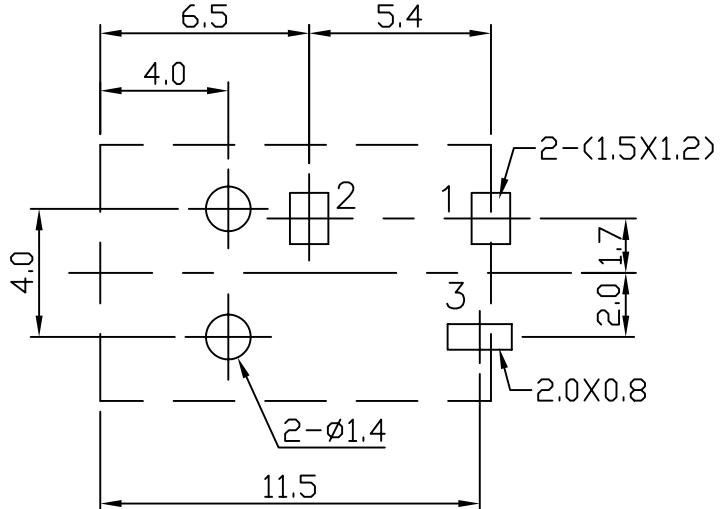


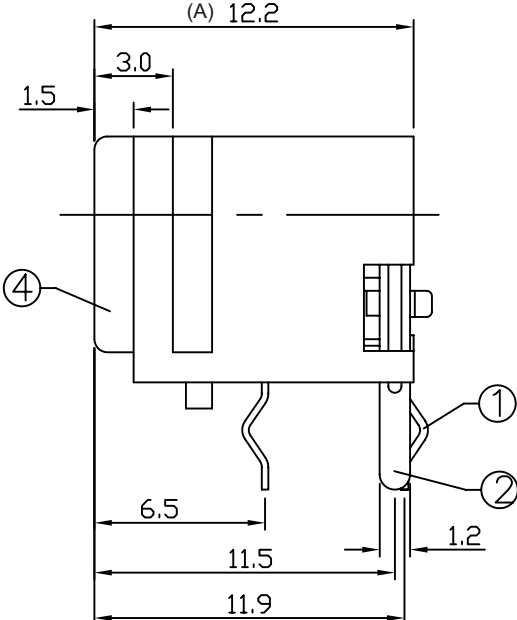
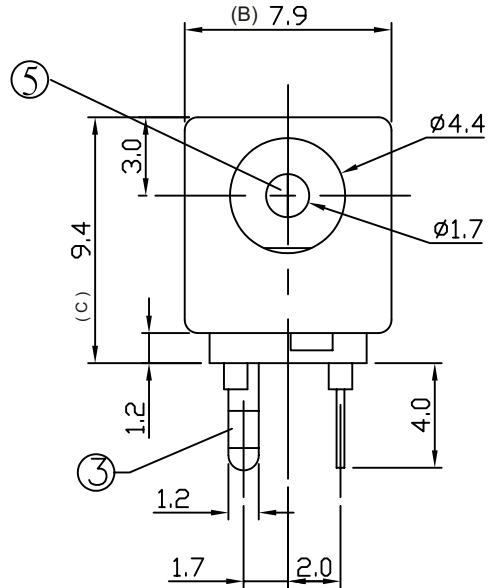
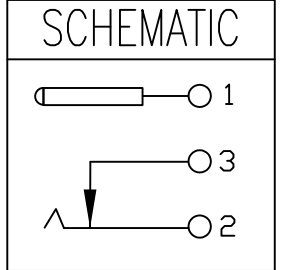
# ORDER INFORMATION:

DC1 - 039  $\frac{X}{a}$  -  $\frac{X}{b}$   $\frac{X}{c}$  -  $\frac{A/B/C}{d}$  -  $\frac{X}{e}$


- a. Center Pin Diameter:  
1: 1.7  $\phi$
- b. Post selection:  
1: with post
- c. Length/Width/Height:  
A/B/C (A=12.2, B=7.9, C=9.4) (standard)
- e. Pack selection:  
B: Bag Pack



T:1.6 Dimensions of PC board holes  
Tolerance :  $\pm 0.1$ (Printed-top view)



5	PIN	1	C2680	MB:Cu Ni PLATED
4	HOUSING	1	PBT	
3	SPRING	1	C5210	MB:Cu Ag PLATED
2	CURVE PIECE	1	C2680	MB:Cu Ag PLATED
1	FLAT PIECE	1	C2680	MB:Cu Ag PLATED
LTR	PART NAME	QTY	MATERIAL	REMARK

GENAL TOLERANCE $\pm 0.3$	DRAW M. C. WANG	PART NO DC1-039X-X-A/B/C-X
	DESIGN H. D. LI	TITLE DC POWER JACK (DIP)
	CHECKED Y. M. LU	
UNIT :mm	APPROVED J. F. KANG	 宏揚精密有限公司 HOJAR PRECISION CO., LTD.