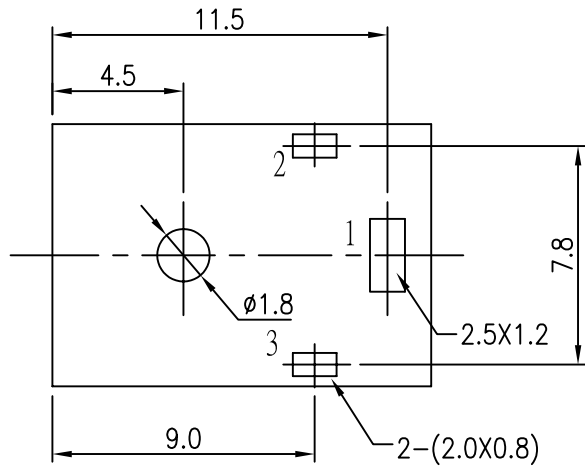


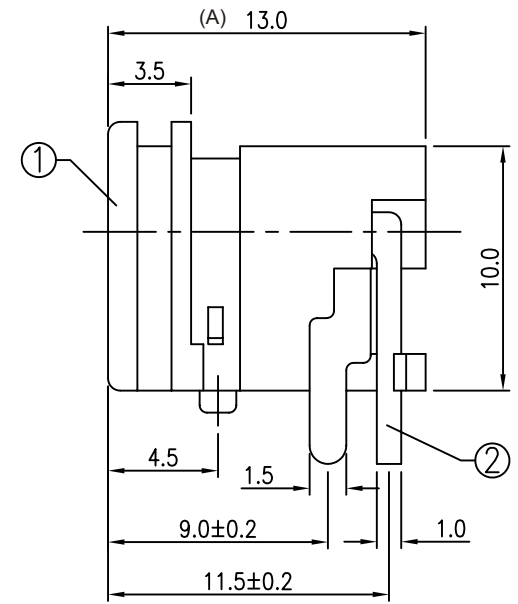
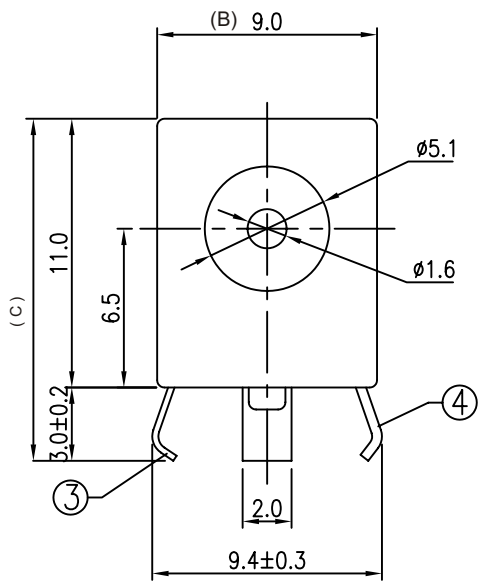
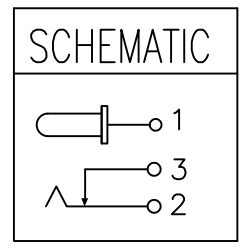
ORDER INFORMATION:

DC1 - 03D $\frac{X}{a}$ - $\frac{X}{b}$ - $\frac{A/B/C}{C}$ - $\frac{X}{d}$

- a. Center Pin Diameter:
1: 1.6 ϕ
- b. Post selection:
1: with post
- c. Length/Width/Height:
A/B/C (A=13.0, B=9.0, C=14.0) (standard)
- d. Pack selection:
B: Bag Pack



T:1.6 Dimensions of PC board holes
Tolerance : ± 0.1 (Printed-top view)



4	CURVE PIECE	1	BRASS	MB:Cu Ag PLATED
3	SPRING	1	BRONZE	MB:Cu Ag PLATED
2	PIN	1	BRASS	MB:Cu Ni PLATED
1	HOUSING	1	PBT	
LTR	PART NAME	QTY	MATERIAL	REMARK

GENAL TOLERANCE ± 0.3	DRAW M. C. WANG	PART NO DC1-03DX-X-A/B/C-X
	DESIGN H. D. LI	TITLE DC POWER JACK (DIP)
	CHECKED Y. M. LU	
	APPROVED J. F. KANG	
UNIT :mm		宏揚精密有限公司 HOJAR PRECISION CO., LTD.