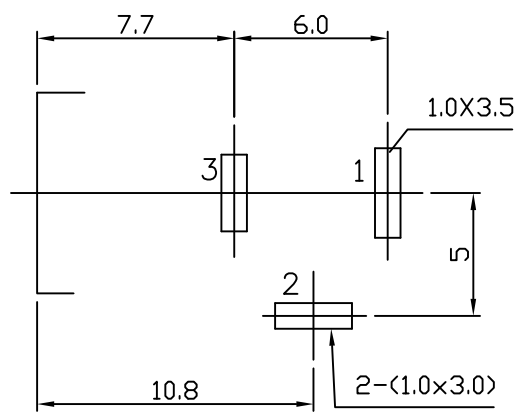


# ORDER INFORMATION:

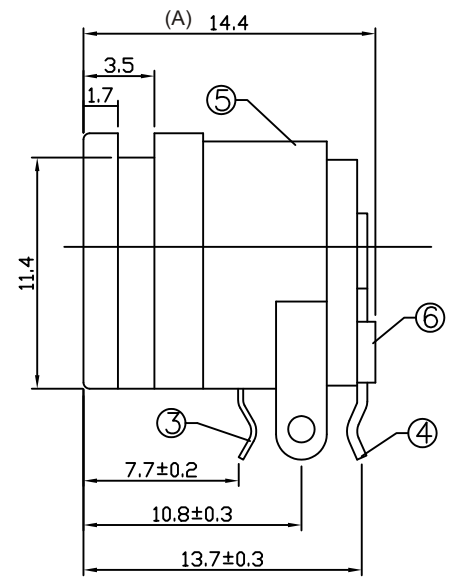
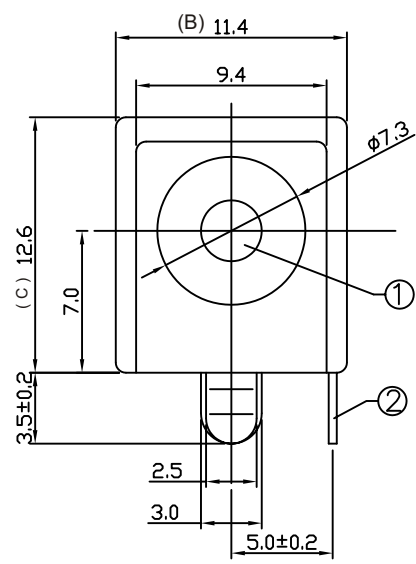
DC1 - 03E  $\frac{X}{a}$  -  $\frac{X}{b}$  -  $\frac{A/B/C}{c}$  -  $\frac{X}{d}$

- a. Center Pin Diameter:  
 A:2.0  $\phi$   
 B:2.5  $\phi$   
 C:3.0  $\phi$
- b. Post selection:  
 0: without post
- c. Length/Width/Height:  
 A/B/C (A=14.4,B=11.4,C=12.6) (standard)
- d. Pack selection:  
 B:Bag Pack



T:1.6 Dimensions of PC board holes  
 Tolerance :  $\pm 0.1$ (Printed-top view)

CAT. NO.	PIN	SCHEMATIC
DC1-03EA	$\phi 2.0$	
DC1-03EB	$\phi 2.5$	
DC1-03EC	$\phi 3.0$	



LTR	PART NAME	QTY	MATERIAL	REMARK
6	COVER	1	PBT	
5	HOUSTNG	1	PBT	
4	FLAT PIECE	1	C2680	MB:Cu Ag PLATED
3	SPRING	1	C5191	MB:Cu Ag PLATED
2	CURVE PIECE	1	C2680	MB:Cu Ag PLATED
1	PIN	1	C2680	MB:Cu Ni PLATED

GENAL TOLERANCE	DRAW	PART NO
$\pm 0.3$	M. C. WANG	DC1-03EX-X-A/B/C-X
	DESIGN H. D. LI	TITLE DC POWER JACK (DIP)
	CHECKED Y. M. LU	
UNIT :mm	APPROVED J. F. KANG	宏揚精密有限公司 HOJAR PRECISION CO., LTD.