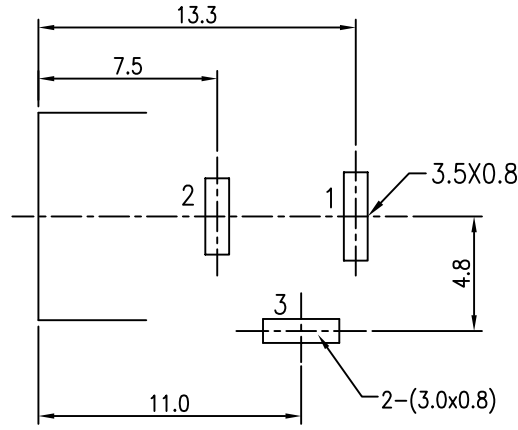


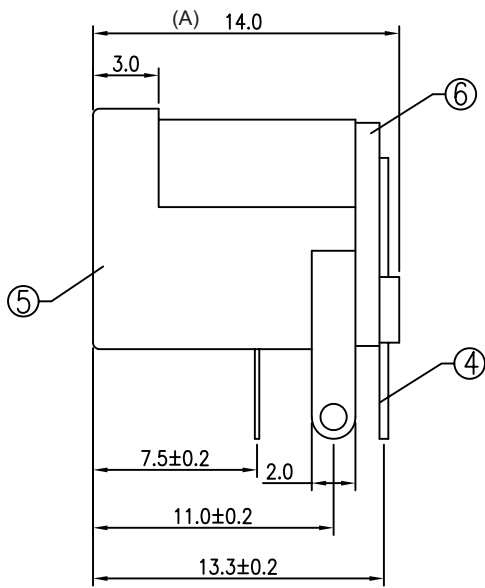
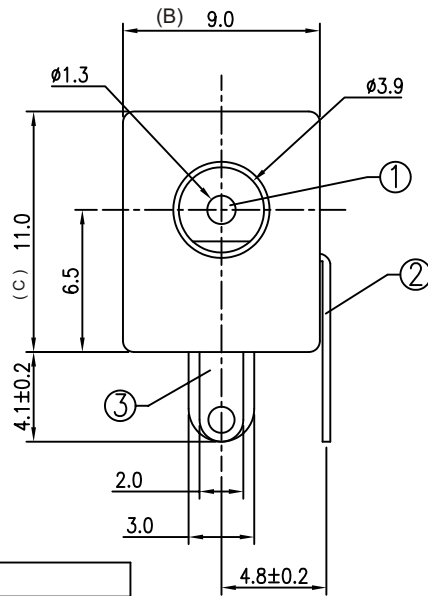
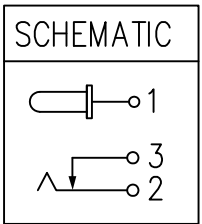
ORDER INFORMATION:

DC1 - 03F $\frac{X}{a}$ - $\frac{X}{b}$ - $\frac{A/B/C}{C}$ - $\frac{X}{d}$

- a. Center Pin Diameter:
1:1.3 \varnothing
- b. Post selection:
0: without post
- c. Length/Width/Height:
A/B/C (A=14.0,B=9.0,C=11.0) (standard)
- d. Pack selection:
B:Bag Pack



T:1.6 Dimensions of PC board holes
Tolerance : ± 0.1 (Printed-top view)



6	COVER	1	PBT/PA66	
5	HOUSING	1	PBT/PA66	
4	FLAT PIECE	1	C2680	MB:Cu Ag(Sn) PLATED
3	SPRING	1	C5191	MB:Cu Ag(Sn) PLATED
2	CURVE PIECE	1	C2680	MB:Cu Ag(Sn) PLATED
1	PIN	1	C2680	MB:Cu Ni PLATED
LTR	PART NAME	QTY	MATERIAL	REMARK

GENERAL TOLERANCE ± 0.3	DRAW M. C. WANG	PART NO DC1-03FX-X-A/B/C-X
	DESIGN H. D. LI	TITLE DC POWER JACK (DIP)
	CHECKED Y. M. LU	
UNIT :mm	APPROVED J. F. KANG	宏揚精密有限公司 HOJAR PRECISION CO., LTD.