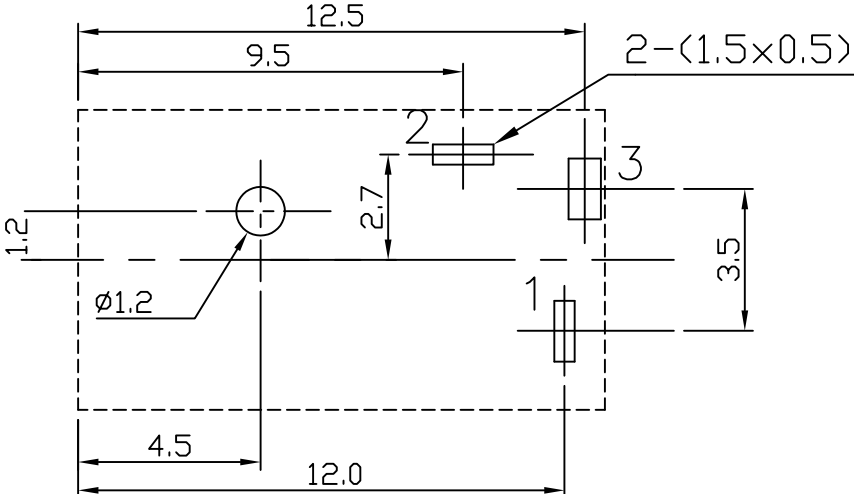


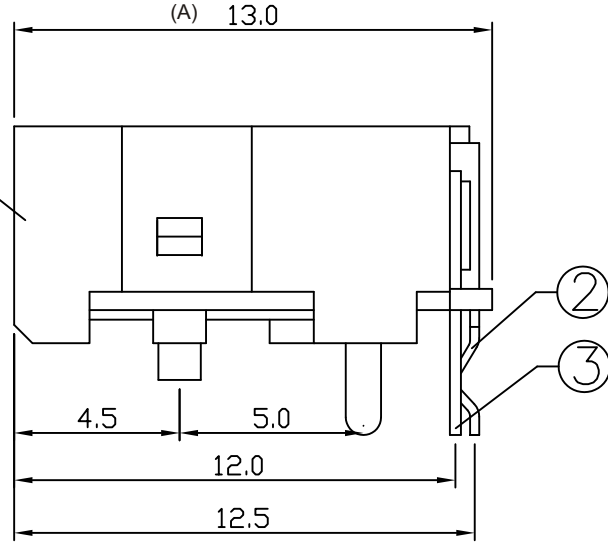
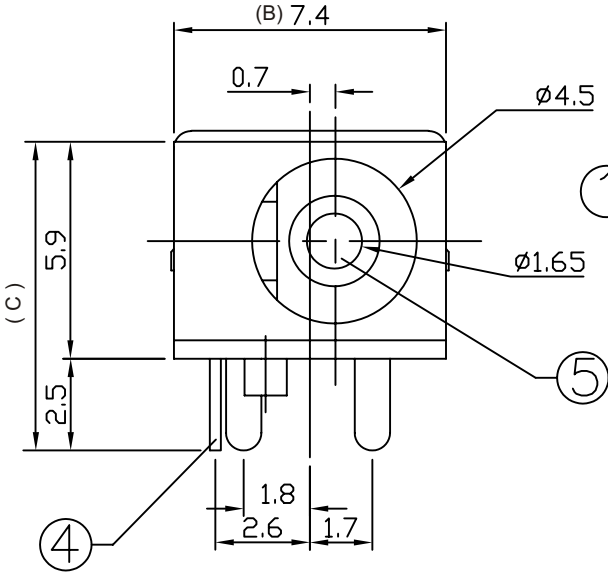
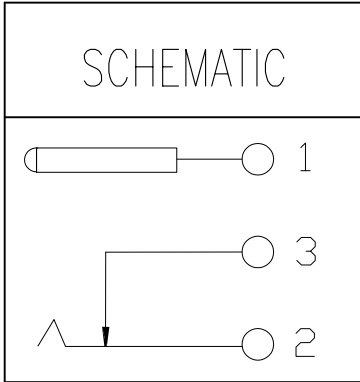
ORDER INFORMATION:

DC1 - 03K $\frac{X}{a}$ - $\frac{X}{b}$ - $\frac{A/B/C}{c}$ - $\frac{X}{d}$

- a. Center Pin Diameter:
A:2.0 \varnothing
- b. Post selection:
1: with post
- c. Length/Width/Height:
A/B/C (A=13.0,B=7.4,C=8.4) (standard)
- d. Pack selection:
B:Bag Pack



T:1.6 Dimensions of PC board holes
Tolerance : ± 0.1 (Printed-top view)



| 5 | PIN | 1 | C2680 | MB:Cu Ni PLATED |
|-----|-------------|-----|----------|-----------------|
| 4 | SPRING | 1 | C5191 | MB:Cu Ag PLATED |
| 3 | FLAT PIECE | 1 | C2680 | MB:Cu Ag PLATED |
| 2 | CURVE PIECE | 1 | C2680 | MB:Cu Ag PLATED |
| 1 | HOUSING | 1 | PBT | |
| LTR | PART NAME | QTY | MATERIAL | REMARK |

| | | |
|------------------------------|------------------------|---------------------------------------|
| GENAL TOLERANCE ± 0.3 | DRAW M. C. WANG | PART NO DC1-03KX-X-A/B/C-X |
| | DESIGN H. D. LI | TITLE DC POWER JACK (DIP) |
| | CHECKED Y. M. LU | |
| UNIT :mm | APPROVED J. F. KANG | 宏揚精密有限公司 HOJAR PRECISION CO., LTD. |