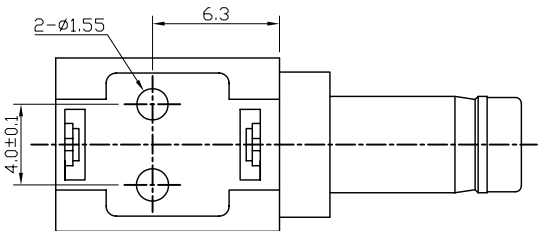
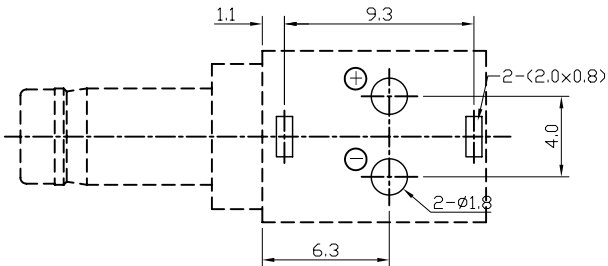


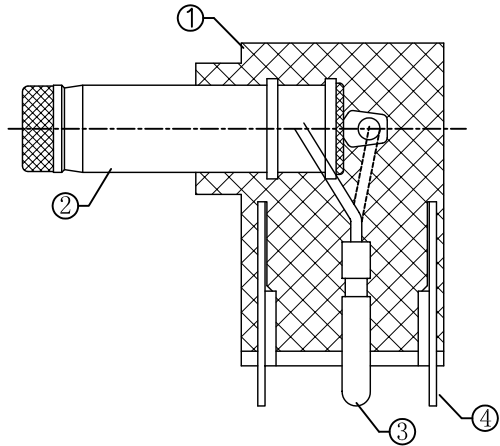
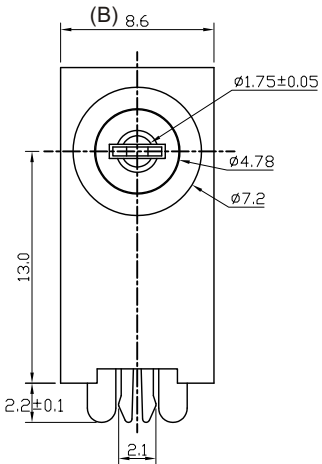
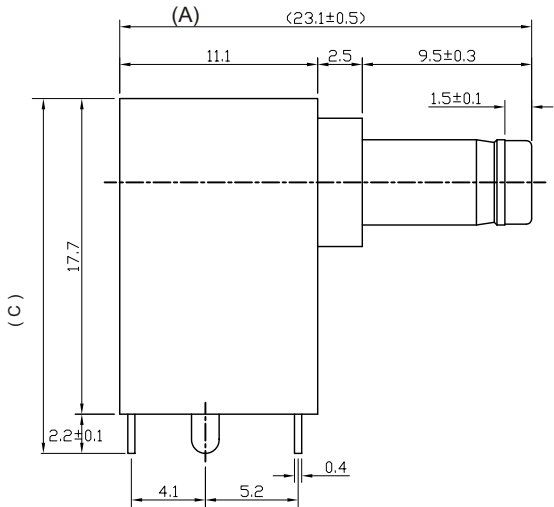
ORDER INFORMATION:

MDC1 - 021 $\frac{X}{a}$ - $\frac{X}{b}$ - $\frac{A/B/C}{c}$ - $\frac{X}{d}$


- a. Center Pin Diameter:
1: 1.75 ϕ
- c. Post selection:
1: with post
- d. Length/Width/Height:
A/B/C (A=23.1, B=8.6, C=19.9) (standard)
- e. Pack selection:
B: Bag Pack



T:1.6 Dimensions of PC board holes
Tolerance : ± 0.1 (Printed-top view)



4	固定脚	2	C2680	MB:Cu Ag PLATED
3	接觸脚	2	C2680	MB:Cu Ag PLATED
2	標準插头	1	C2680	MB:Cu Ag PLATED
1	底座	1	PA46	
LTR	PART NAME	QTY	MATERIAL	REMARK

GENAL TOLERANCE ± 0.3	DRAW M. C. WANG	PART NO MDC1-021X-X-A/B/C-X
	DESIGN H. D. LI	TITLE DC POWER JACK 公座插座 (DIP)
	CHECKED Y. M. LU	
UNIT :mm	APPROVED J. F. KANG	 宏揚精密有限公司 HOJAR PRECISION CO., LTD.