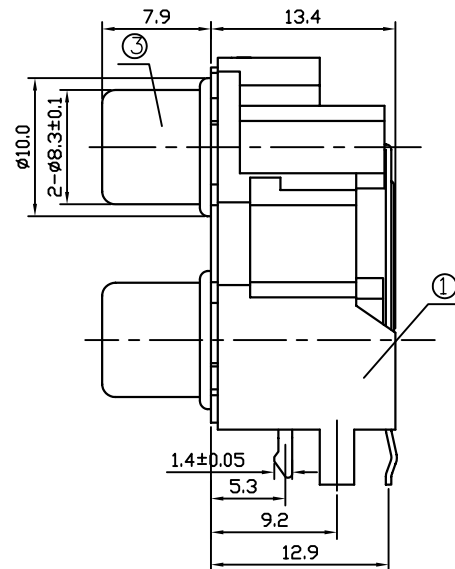
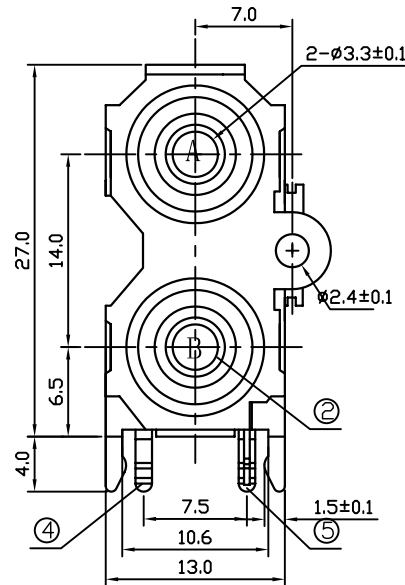
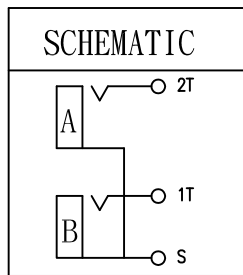


T:1.6 Dimensions of PC board holes
Tolerance : ±0.1(Printed-bottom view)



ORDER INFORMATION:

HRCA - 122 - $\frac{AB}{a}$ - SS - $\frac{X}{b}$

a. Pin Color(A~B)

b. Pack selection:
D:Disk Pack

5	TERMINAL	1	C2680	t=0.4	MB : Cu	Cu/Sn	PLATED
4	TERMINAL	1	C2680	t=0.4	MB : Cu	Cu/Sn	PLATED
3	OUTER CONTACT	1	C2680	t=0.4	MB : Cu	Cu/Sn	PLATED
2	WASHER	2	PBT				
1	HOUSING	1	PBT				
LTR	PART NAME	QTY	MATERIAL		REMARK		

GENAL TOLERANCE	DRAW	M. C. WANG	PART NO	HRCA-122-AB-SS-X
	DESIGN	H. D. LI	TITLE	PIN JACK
	CHECKED	Y. M. LU		
UNIT :mm	APPROVED	J. F. KANG		

 宏揚精密有限公司
HOJAR PRECISION CO., LTD.