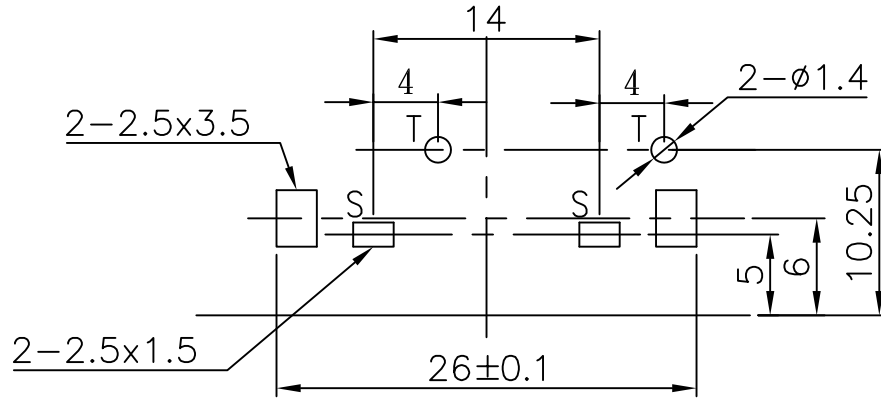


# ORDER INFORMATION:

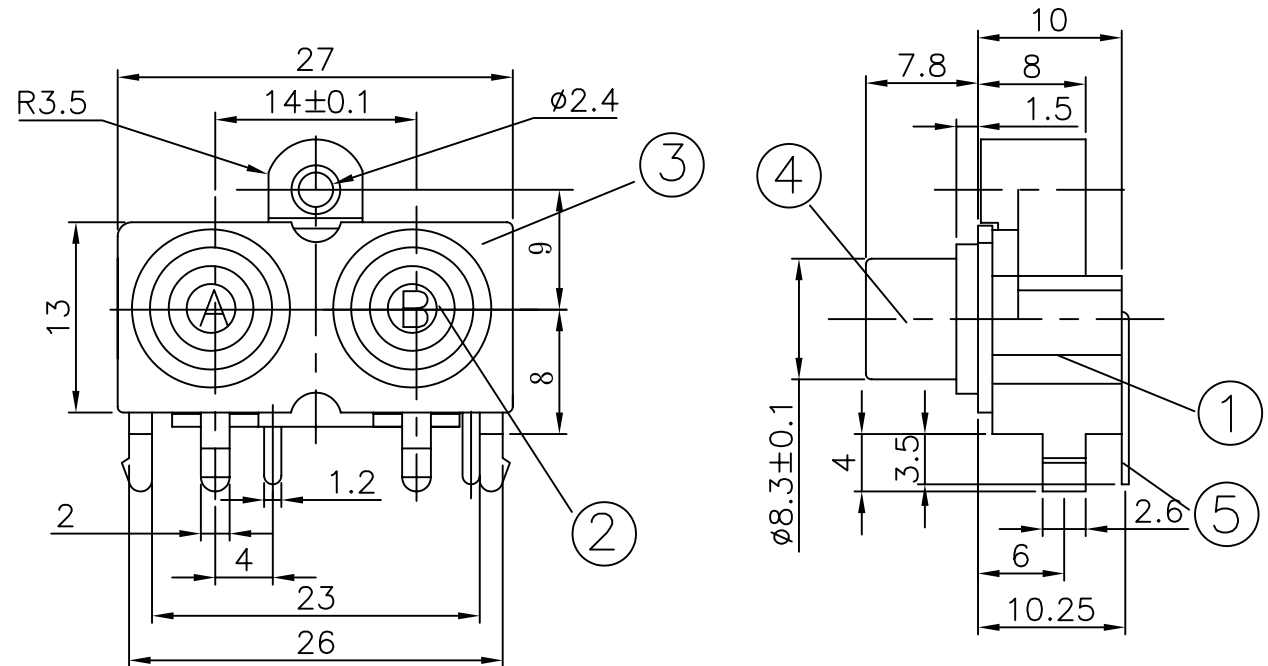
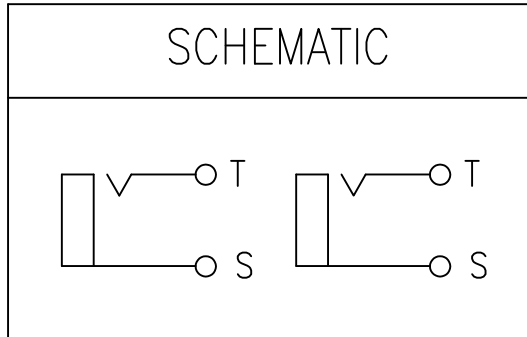
HRCA - 123 -  $\frac{AB}{a}$  - RS -  $\frac{X}{b}$

a. Pin Color(A~B)


b. Pack selection:  
D:Disk Pack



T:1.6 Dimensions of PC board holes  
Tolerance : ±0.1(Printed-top view)



5	TERMINAL	2	C2680	t=0.5	MB:Cu	Cu/Sn	PLATED
4	OUTER CONTACT	2	C2680	t=0.4	MB:Cu	Cu/Sn	PLATED
3	COVER	1	ABS				
2	WASHER	2	ABS				
1	HOUSING	1	ABS				
LTR	PART NAME	QTY	MATERIAL				REMARK

GENAL TOLERANCE ± 0.3	DRAW M. C. WANG	PART NO HRCA-123-AB-RS-X
	DESIGN H. D. LI	TITLE PIN JACK
	CHECKED Y. M. LU	
UNIT :mm	APPROVED J. F. KANG	 宏揚精密有限公司 HOJAR PRECISION CO., LTD.