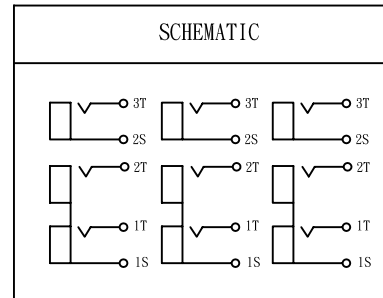
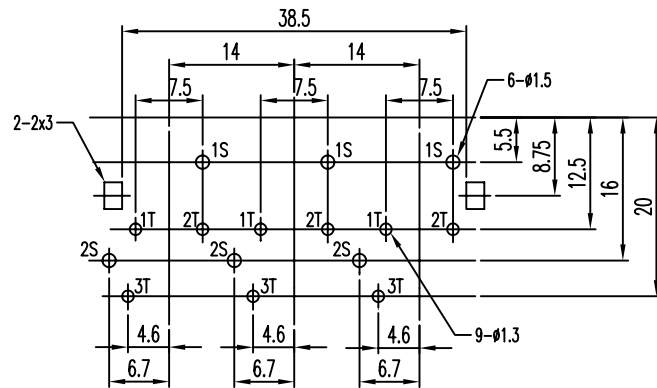


ORDER INFORMATION:

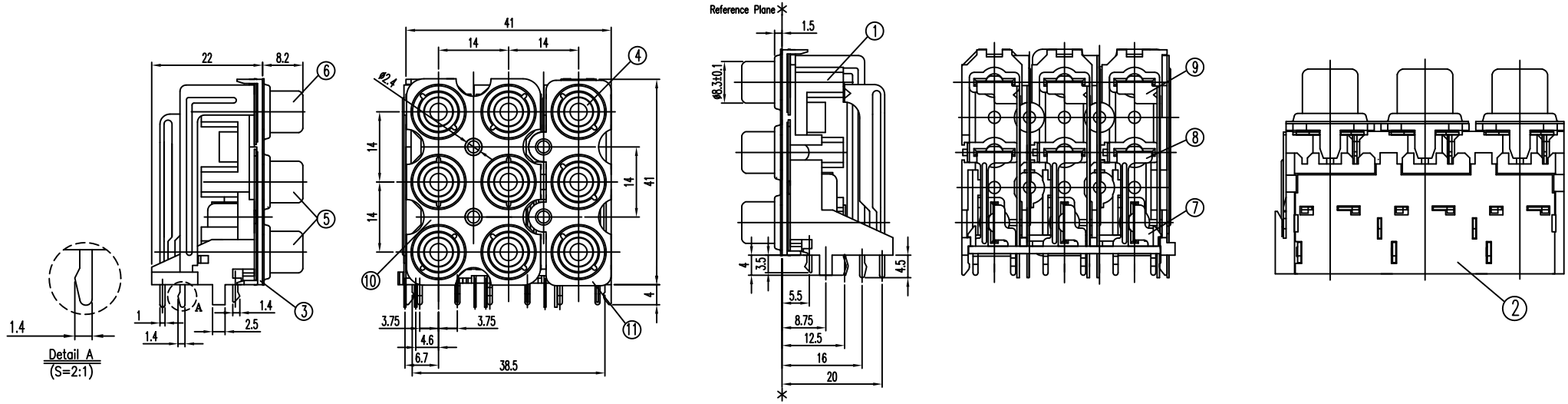
HRCA - 391 - ABCDEFGHI -R1 - $\frac{X}{b}$

a. Pin Color(A~I)

b. Pack selection:
D:Disk Pack



T:1.6 Dimensions of PC board holes
Tolerance : ±0.1(Printed-bottom view)



11	SEALED PLATE-2	1	C2680	t=0.3	MB:Cu	Cu/Sn	PLATED
10	SEALED PLATE-1	1	C2680	t=0.3	MB:Cu	Cu/Sn	PLATED
9	TERMINAL-3	3	C2680	t=0.5	MB:Cu	Cu/Sn	PLATED
8	TERMINAL-2	3	C2680	t=0.4	MB:Cu	Cu/Sn	PLATED
7	TERMINAL-1	3	C2680	t=0.4	MB:Cu	Cu/Sn	PLATED
6	OUTER CONTACT-2	3	C2680	t=0.4	MB:Ni	Cu/Sn	PLATED
5	OUTER CONTACT-1	3	C2680	t=0.4	MB:Ni	Cu/Sn	PLATED
4	WASHER	9	ABS				
3	COVER-2	1	ABS				
2	COVER-1	1	ABS				
1	HOUSING	1	ABS				
LTR	PART NAME	QTY	MATERIAL		REMARK		

GENAL TOLERANCE ± 0.3	DRAW M. C. WANG	PART NO HRCA-391-ABCDEFGHI-R1-X
	DESIGN H. D. LI	TITLE PIN JACK
	CHECKED Y. M. LU	
UNIT :mm	APPROVED J. F. KANG	宏揚精密有限公司 HOJAR PRECISION CO., LTD.