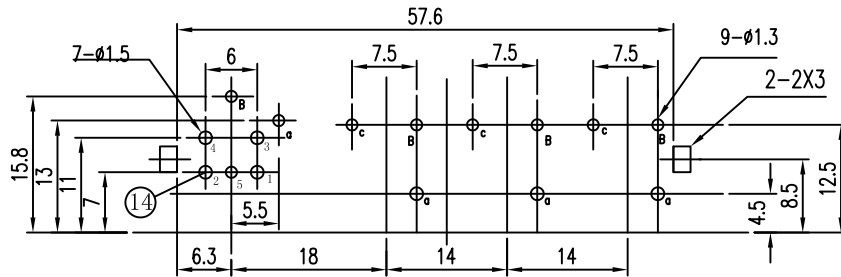


# ORDER INFORMATION:

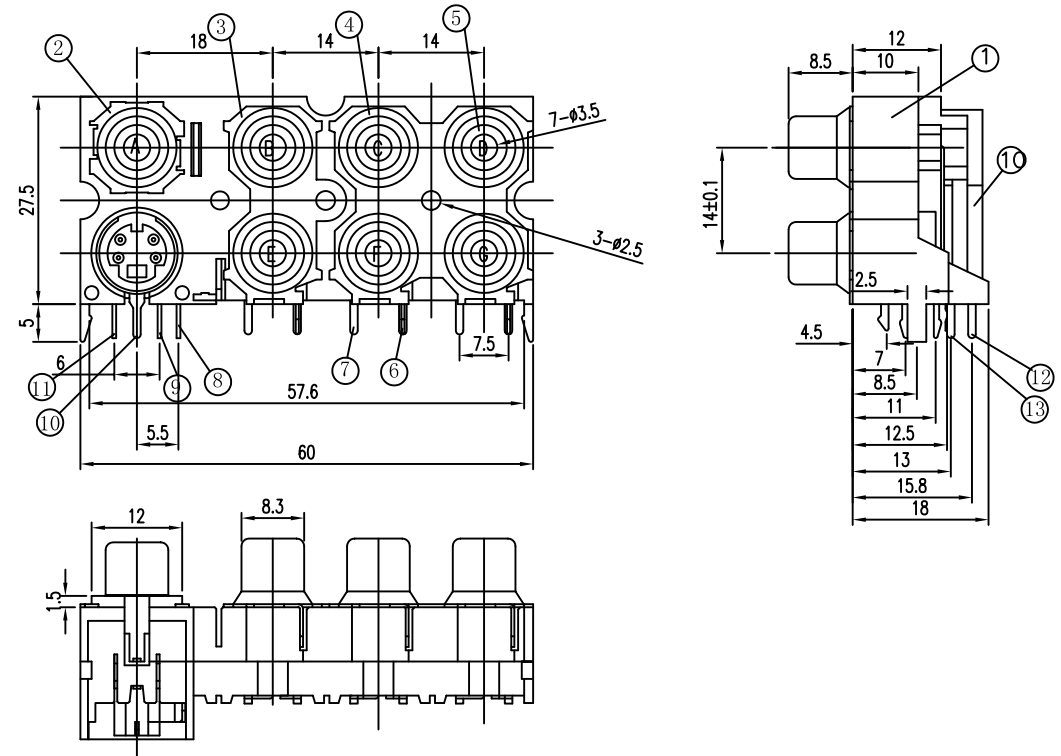
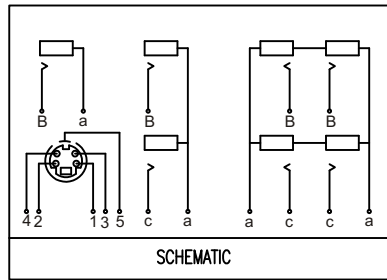
HRCAF-271 -  $\frac{ABCDEFG}{A}$  -RD -  $\frac{X}{b}$

a. Pin Color(A~G)


b. Pack selection:  
D:Disk Pack



HOLE LAYOUT(TOP VIEW)



14	TEAMINAL	1	C2680	T=0.4	MB :CU	Cu/Sn	PLATED
13	EARTCH TEAMINAL	1	C2680	T=0.4	MB :CU	Cu/Sn	PLATED
12	TEAMINAL	1	C2680	T=0.5	MB :CU	Cu/Sn	PLATED
11	TEAMINAL	1	C2680	T=0.4	MB :CU	Cu/Sn	PLATED
10	TEAMINAL	1	C2680	T=0.3	MB :CU	Cu/Sn	PLATED
9	TEAMINAL	1	C2680	T=0.4	MB :CU	Cu/Sn	PLATED
8	TEAMINAL	1	C2680	T=0.3	MB :CU	Cu/Sn	PLATED
7	TEAMINAL	3	C2680	T=0.4	MB :CU	Cu/Sn	PLATED
6	TEAMINAL	3	C2680	T=0.4	MB :CU	Cu/Sn	PLATED
5	WASHER	7	ABS				
4	OUTER CONTACT	1	C2680	T=0.4	MB :CU	Cu/Sn	PLATED
3	OUTER CONTACT	1	C2680	T=0.4	MB :CU	Cu/Sn	PLATED
2	OUTER CONTACT	1	C2680	T=0.4	MB :CU	Cu/Sn	PLATED
1	HOUSING	1	ABS				
LTR	PART NAME	QTY	MATERIAL(THICK,COLOR)		REMARK		

GENAL TOLERANCE $\pm 0.3$	DRAW M. C. WANG	PART NO HRCAF-271-ABCDEFG-RD-X
	DESIGN H. D. LI	TITLE PIN JACK + S JACK
	CHECKED Y. M. LU	 宏揚精密有限公司 HOJAR PRECISION CO., LTD.
UNIT :mm	APPROVED J. F. KANG	