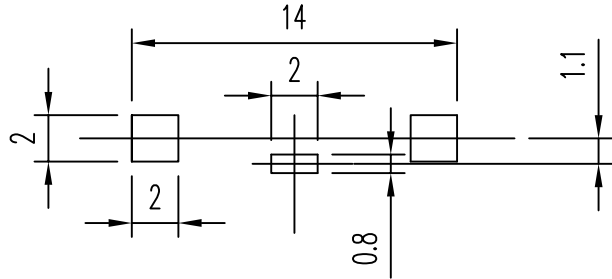


ORDER INFORMATION:

HRCAJ - 111 - $\frac{X}{a}$ - S - $\frac{X}{b}$

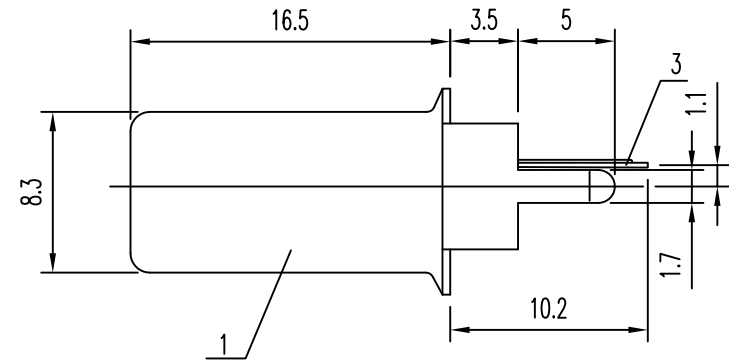
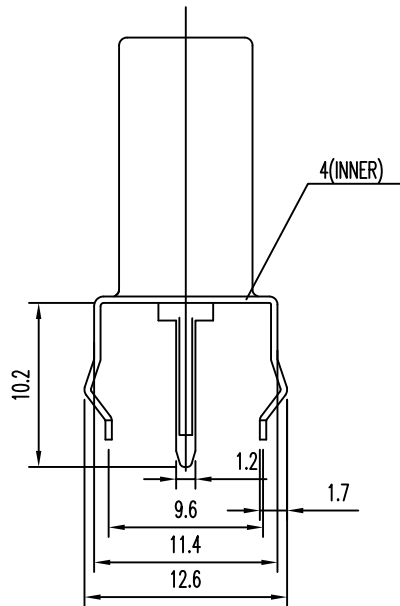
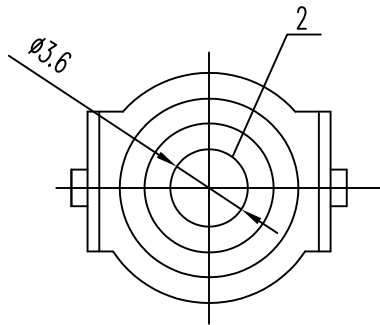
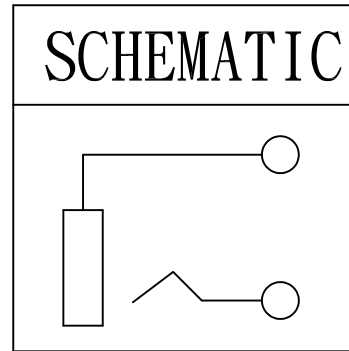
a. Pin Color:

c. Pack selection:
 D:Disk Pack
 B:Bag Pack




T:1.6 Dimensions of PC board holes

Tolerance : ± 0.1 (Printed-bottom view)



4	INSIDE	1	PBT	UL-94V-0(BLACK)
3	TERMINAL	1	C2680 T=0.25	MB:Cu Sn PLATED
2	WASHER	1	PBT	UL-94V-0
1	OUTER CONTACT	1	C2680 t=0.4	MB:Cu Au PLATED
LTR	PART NAME	QTY	MATERIAL	REMARK

GENAL TOLERANCE ± 0.3	DRAW M. C. WANG	PART NO HRCAJ-111-X-S-X
	DESIGN H. D. LI	TITLE PIN JACK
	CHECKED Y. M. LU	
UNIT :mm	APPROVED J. F. KANG	 宏揚精密有限公司 HOJAR PRECISION CO., LTD.