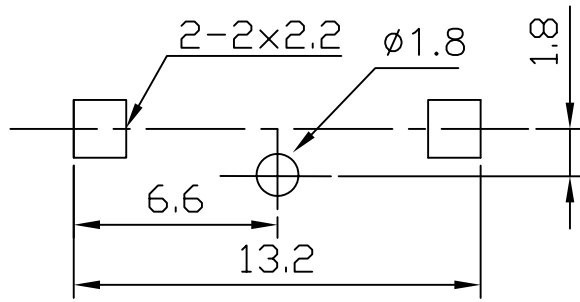


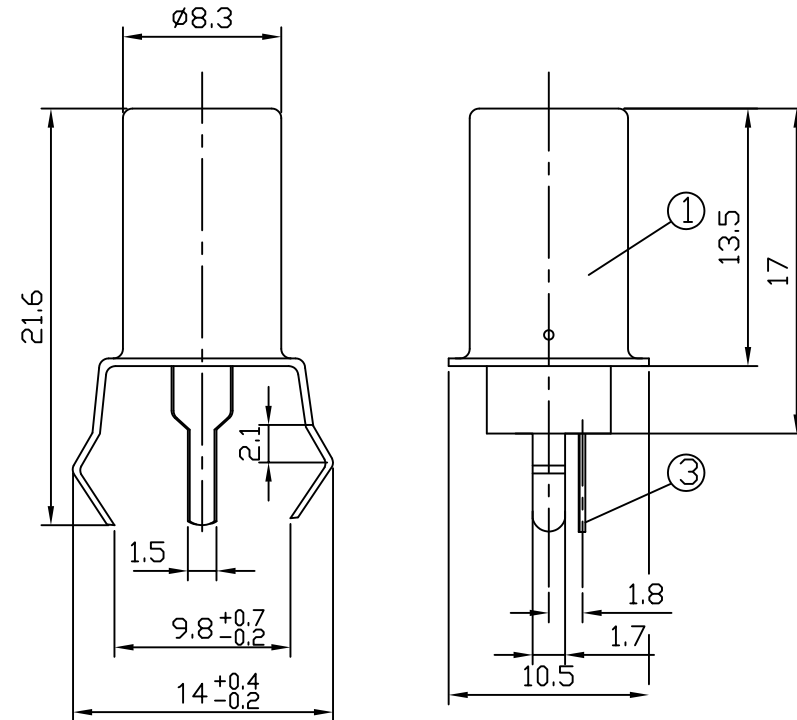
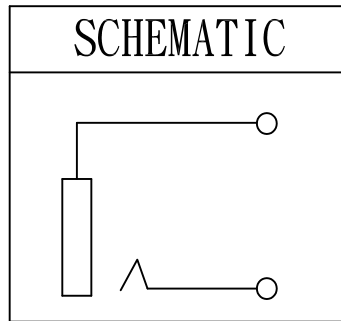
# ORDER INFORMATION:

HRCAJ - 112 -  $\frac{X}{a}$  -  $\frac{S}{b}$  - X

- a. Pin Color:
  - R:Red
  - B:Black
  - Y:Yellow
  - W:White
  - B1:Blue
  - G:Green
- b. Pack selection:
  - B:Bag Pack



T:1.6 Dimensions of PC board holes  
Tolerance : ±0.1(Printed-bottom view)



3	TERMINAL	1	C2680	MB:Cu Cu/Sn PLATED
2	WASHER	1	PBT	UL-94V0
1	OUTER CONTACT	1	C2680 t=0.4	MB:Cu Ni PLATED
LTR	PART NAME	QTY	MATERIAL	REMARK

GENAL TOLERANCE ± 0.3	DRAW M. C. WANG	PART NO HRCAJ-112-X-S-X
	DESIGN H. D. LI	TITLE PIN JACK
	CHECKED Y. M. LU	
UNIT :mm	APPROVED J. F. KANG	宏揚精密有限公司 HOJAR PRECISION CO., LTD.