

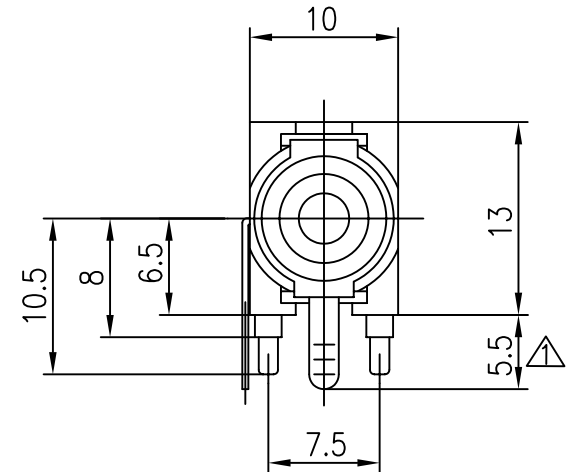
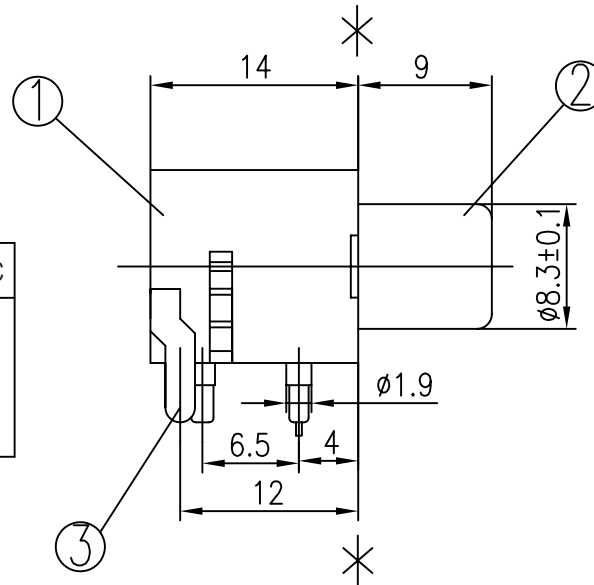
T:1.6 Dimensions of PC board holes
Tolerance : ± 0.1 (Printed-bottom view)

ORDER INFORMATION:

HRCAJ - 114 - $\frac{X}{a}$ - $\frac{X}{b}$ - R - $\frac{X}{c}$

- a. Pin Color:
R:Red
B:Black
Y:Yellow
W:White
- b. SCHEMATIC:
A~C
- c. Pack selection:
D:Disk Pack
B:Bag Pack

Model No.	HRCAJ-114-X-A	HRCAJ-114-X-B	HRCAJ-114-X-C
Schematic			



5	TERMINAL	1	C2680	t=0.4	MB:Cu	Cu/Sn	PLATED
4	TIP SPRING	1	C5191	t=0.4	MB:Cu	Ag	PLATED
3	SHUNT SPRING	1	C2680	t=0.4	MB:Cu	Ag	PLATED
2	OUTER CONTACT	1	C2680	t=0.4	MB:Cu	Ni	PLATED
1	HOUSING	1	PBT				
LTR	PART NAME	QTY	MATERIAL				REMARK

GENAL TOLERANCE ± 0.3	DRAW M. C. WANG	PART NO HRCAJ-114-X-X-R-X
	DESIGN H. D. LI	TITLE PIN JACK
	CHECKED Y. M. LU	
UNIT :mm	APPROVED J. F. KANG	宏揚精密有限公司 HOJAR PRECISION CO., LTD.