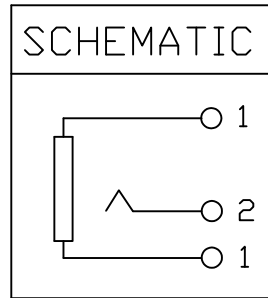
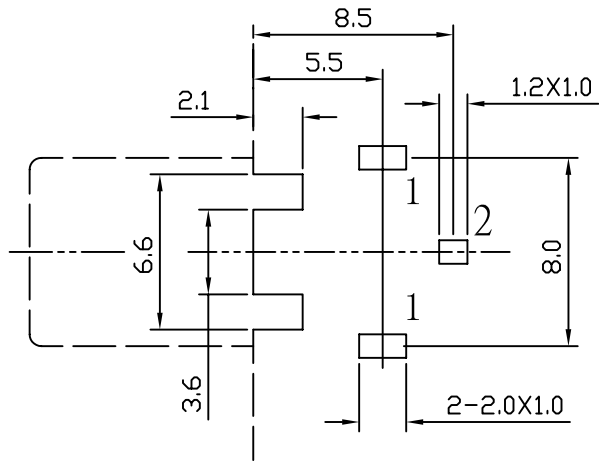


ORDER INFORMATION:

HRCAJ - 115 - $\frac{X}{a}$ - R - $\frac{X}{b}$

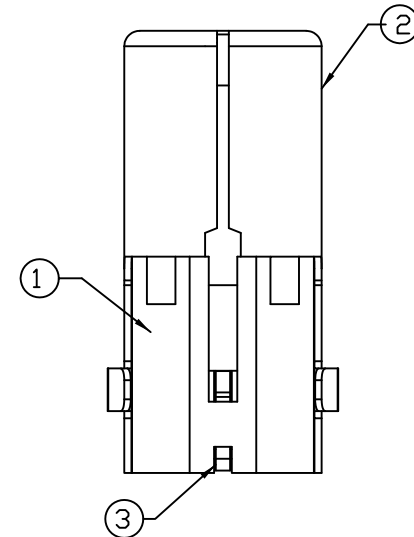
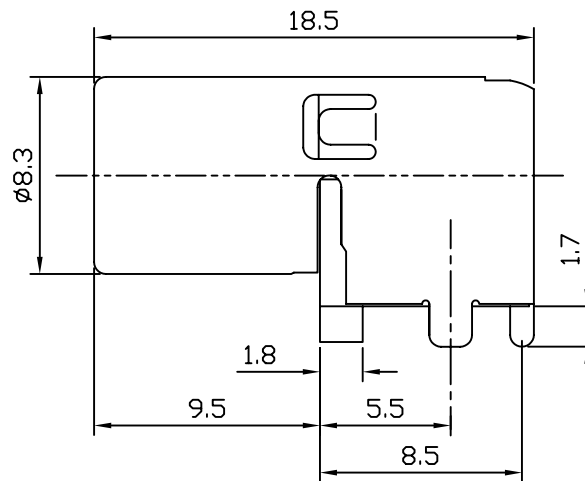
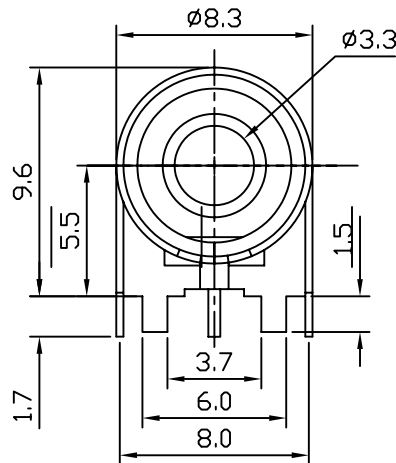
a. Pin Color:
 R:Red
 B:Black
 Y:Yellow
 W:White

b. Pack selection:
 D:Disk Pack
 B:Bag Pack




T:1.6 Dimensions of PC board holes

Tolerance : ± 0.1 (Printed-bottom view)



3	TERMINAL	1	C2680 t=0.6	MB:Cu Cu/Sn PLATED
2	OUTER CONTACT	1	C2680 t=0.4	MB:Cu Cu/Sn PLATED
1	HOUSING	1	PBT	
LTR	PART NAME	QTY	MATERIAL	REMARK

GENAL TOLERANCE ± 0.3	DRAW M. C. WANG	PART NO HRCAJ-115-X-R-X
	DESIGN H. D. LI	TITLE PIN JACK
	CHECKED Y. M. LU	
UNIT :mm	APPROVED J. F. KANG	 宏揚精密有限公司 HOJAR PRECISION CO., LTD.