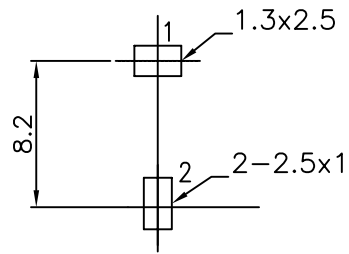


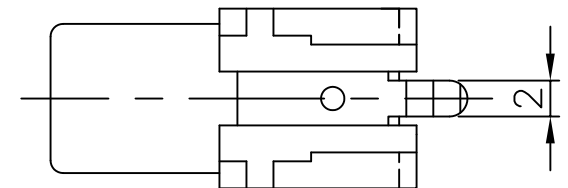
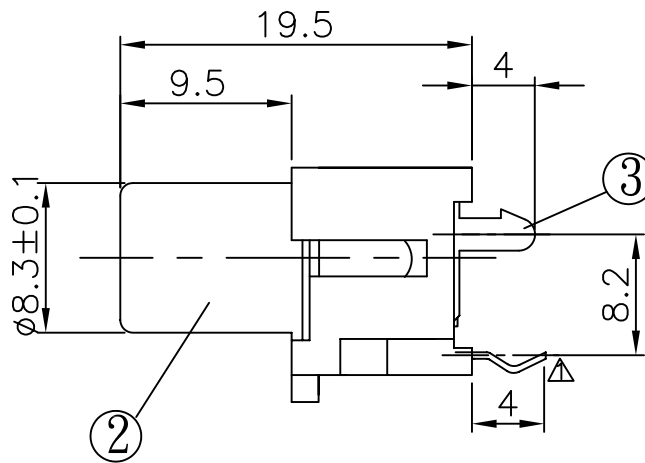
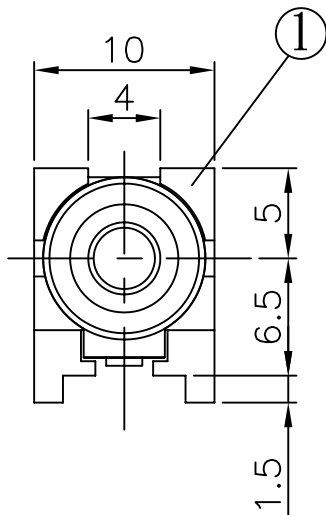
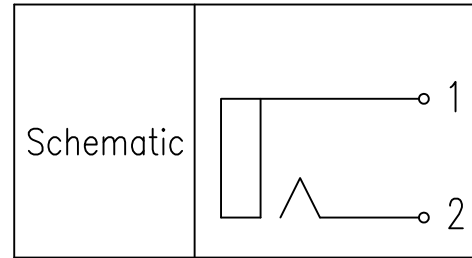
# ORDER INFORMATION:

HRCAJ - 116 -  $\frac{X}{a}$  -  $\frac{X}{b}$  - S -  $\frac{X}{c}$


- a. Pin Color:  
R:Red  
B:Black  
Y:Yellow  
W:White
- b. SCHEMATIC:  
A
- c. Pack selection:  
B:Bag Pack



T:1.6 Dimensions of PC board holes  
Tolerance :  $\pm 0.1$ (Printed-bottom view)



3	TERMINAL	1	C2680 t=0.4	MB:Cu Cu/Sn PLATED
2	OUTER CONTACT	1	C2680 t=0.4	MB:Cu Ni PLATED
1	HOUSING	1	PBT 94V0	
LTR	PART NAME	QTY	MATERIAL	REMARK

GENAL TOLERANCE $\pm 0.3$	DRAW M. C. WANG	PART NO HRCAJ-116-X-X-S-X
	DESIGN H. D. LI	TITLE PIN JACK
	CHECKED Y. M. LU	
UNIT :mm	APPROVED J. F. KANG	 宏揚精密有限公司 HOJAR PRECISION CO., LTD.