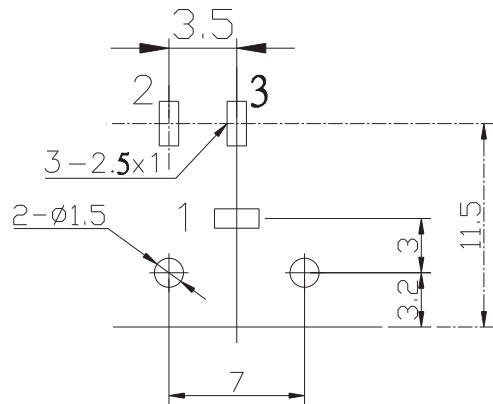
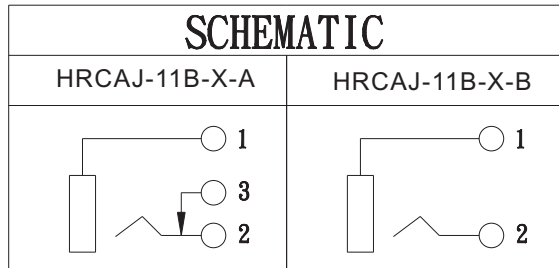


# ORDER INFORMATION:

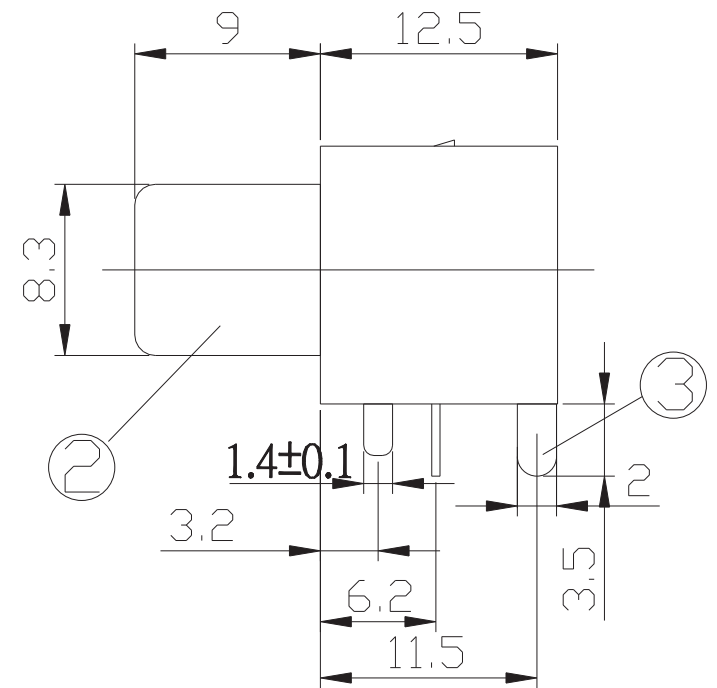
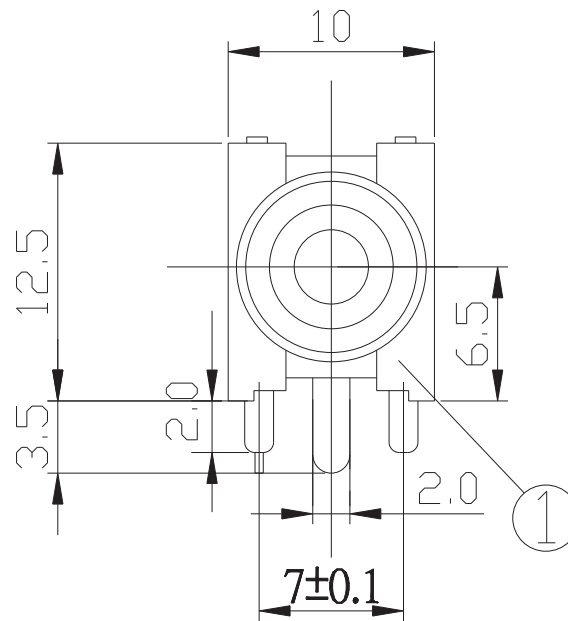
HRCAJ - 11B -  $\frac{X}{a}$  -  $\frac{X}{b}$  - R -  $\frac{X}{c}$

- a. Pin Color:  
Y:Yellow
- b. SCHEMATIC:  
A~B
- c. Pack selection:  
D:Disk Pack  
B:Bag Pack



T:1.6 Dimensions of PC board holes

Tolerance :  $\pm 0.1$ (Printed-bottom view)



3	TERMINAL	1	C2680 t=0.6	MB:Cu Cu/Sn PLATED
2	OUTER CONTACT	1	C2680 t=0.6	MB:Cu Cu/Sn PLATED
1	HOUSING	1	PBT (YELLOW)	
LTR	PART NAME	QTY	MATERIAL	REMARK

GENAL TOLERANCE $\pm 0.3$	DRAW M. C. WANG	PART NO HRCAJ-11B-X-X-R-X
	DESIGN H. D. LI	TITLE PIN JACK
	CHECKED Y. M. LU	
	APPROVED J. F. KANG	
UNIT :mm		宏揚精密有限公司 HOJAR PRECISION CO., LTD.