

T:1.6 Dimensions of PC board holes

Tolerance : ± 0.1 (Printed-bottom view)

ORDER INFORMATION:

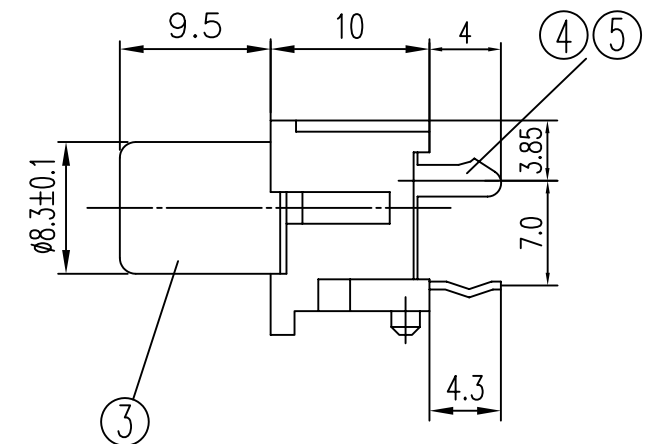
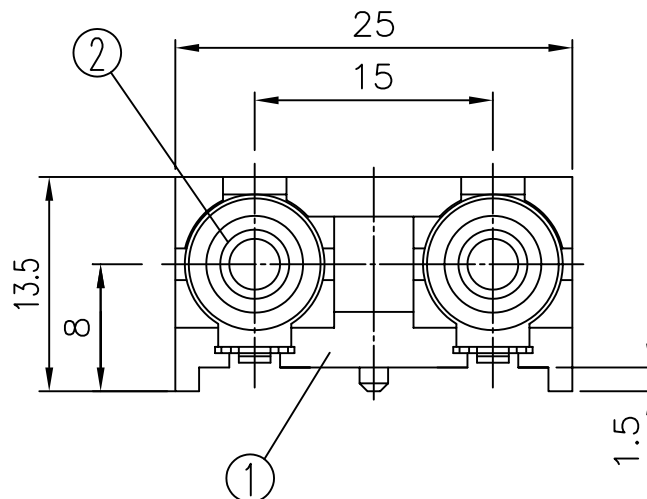
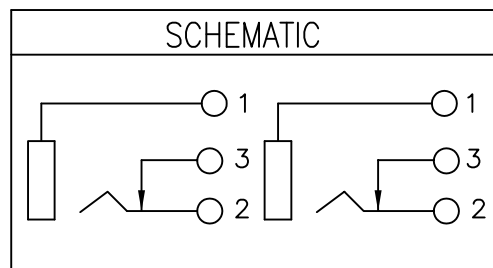
HRCAJ - 121 - $\frac{AB}{a}$ - S - $\frac{X}{b}$

a. Pin Color(A~B)

b. Pack selection:

D:Disk Pack

B:Bag Pack



| | | | | |
|-----|---------------|-----|-------------|-----------------|
| 5 | TIP SPRING | 1 | C5210 t=0.3 | MB:Cu Ag PLATED |
| 4 | RING SPRING | 1 | C5210 t=0.3 | MB:Cu Ag PLATED |
| 3 | OUTER CONTACT | 2 | C2680 t=0.4 | MB:Cu Ni PLATED |
| 2 | WASHER | 2 | PBT | |
| 1 | HOUSING | 1 | PBT | |
| LTR | PART NAME | QTY | MATERIAL | REMARK |

| | | |
|------------------------------|------------------------|---------------------------------------|
| GENAL TOLERANCE ± 0.3 | DRAW M. C. WANG | PART NO HRCAJ-121-AB-S-X |
| | DESIGN H. D. LI | TITLE PIN JACK |
| | CHECKED Y. M. LU | |
| UNIT :mm | APPROVED J. F. KANG | 宏揚精密有限公司 HOJAR PRECISION CO., LTD. |