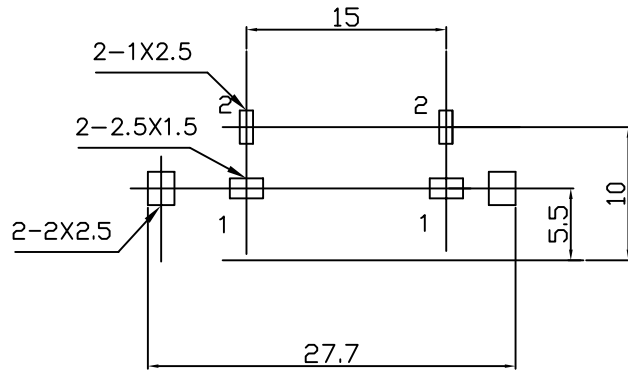


ORDER INFORMATION:

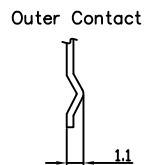
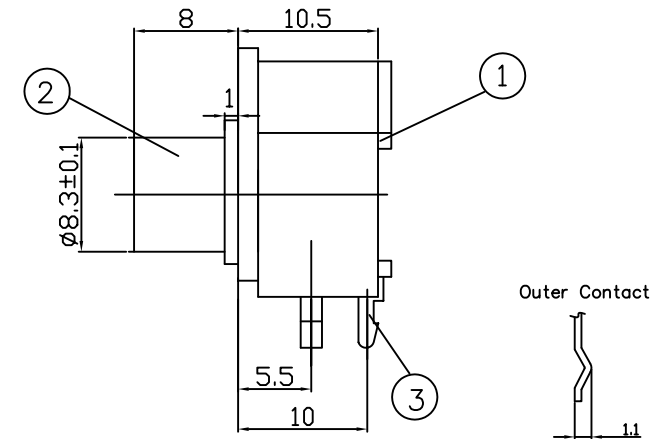
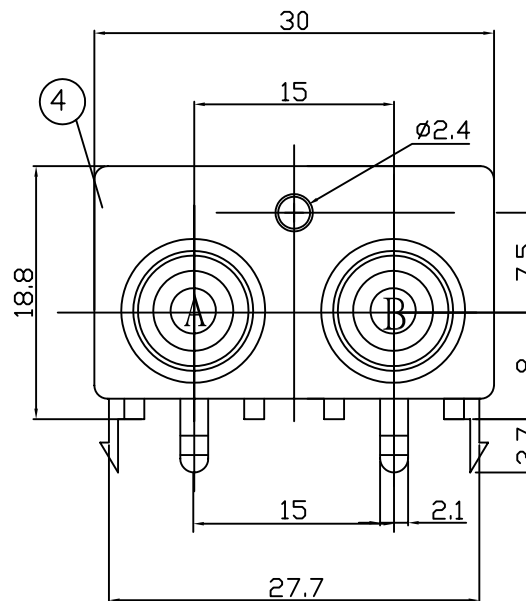
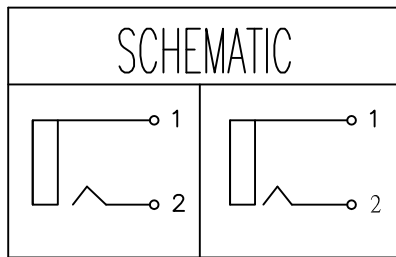
HRCAJ - 122 - $\frac{AB}{a}$ -R- $\frac{X}{b}$

a. Pin Color(A~B)


b. Pack selection:
D:Disk Pack



T:1.6 Dimensions of PC board holes
Tolerance : ± 0.1 (Printed-bottom view)



4	COVER	1	PBT	
3	TERMINAL	2	C2680 t=0.5	MB:Cu Cu/Sn PLATED
2	OUTER CONTACT	2	C2680 t=0.5	MB:Cu Ni PLATED
1	HOUSING	1	PBT	
LTR	PART NAME	QTY	MATERIAL	REMARK

GENAL TOLERANCE ± 0.3	DRAW M. C. WANG	PART NO HRCAJ-122-AB-R-X
	DESIGN H. D. LI	TITLE PIN JACK
	CHECKED Y. M. LU	
UNIT :mm	APPROVED J. F. KANG	 宏揚精密有限公司 HOJAR PRECISION CO., LTD.