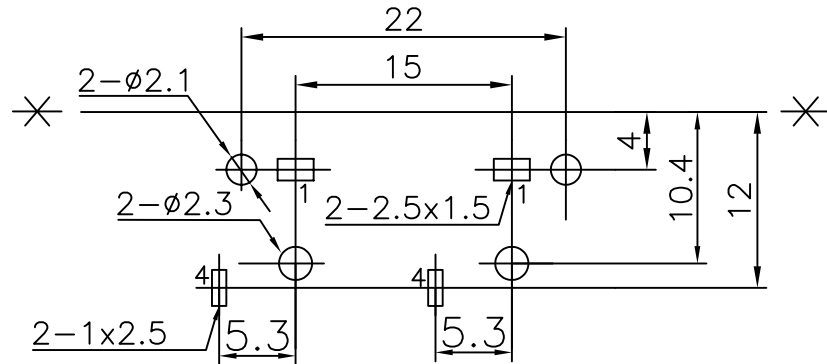


ORDER INFORMATION:

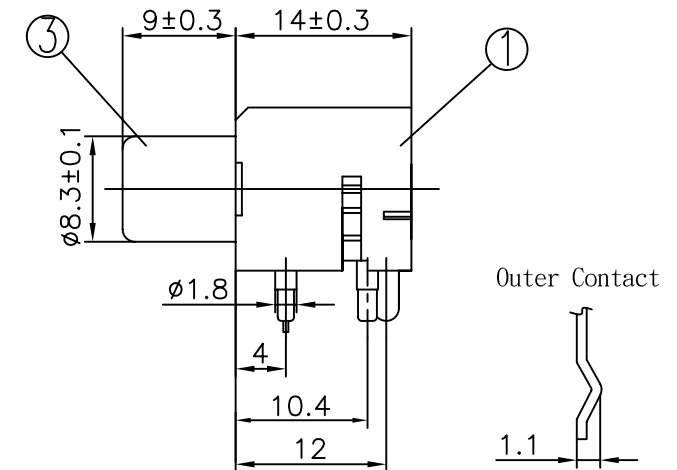
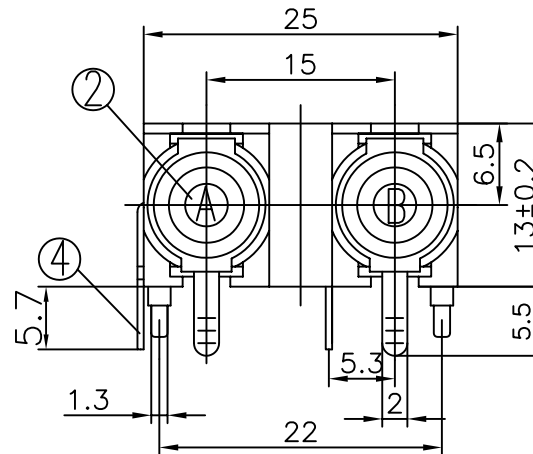
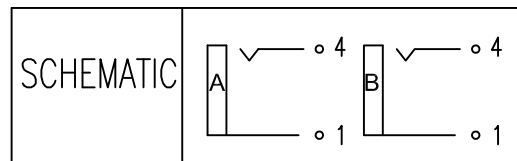
HRCAJ - 123 - $\frac{AB}{a}$ - R - $\frac{X}{b}$

a. Pin Color(A~B)


b. Pack selection:
D:Disk Pack



T:1.6 Dimensions of PC board holes
Tolerance : ± 0.1 (Printed-bottom view)



4	TERMINAL	2	C2680	t=0.4	MB:Cu Cu/Sn PLATED
3	OUTER CONTACT	2	C2680	t=0.4	MB:Cu Ni PLATED
2	WASHER	2	PBT		UL-94V0
1	HOUSING	1	PBT		UL-94V0
LTR	PART NAME	QTY	MATERIAL		REMARK

GENAL TOLERANCE ± 0.3	DRAW M. C. WANG	PART NO HRCAJ-123-AB-R-X
	DESIGN H. D. LI	TITLE PIN JACK
	CHECKED Y. M. LU	
UNIT :mm	APPROVED J. F. KANG	 宏揚精密有限公司 HOJAR PRECISION CO., LTD.