

ORDER INFORMATION:

HRCAJ- 133 - $\frac{ABC}{a}$ -R - $\frac{X}{b}$

a. Pin Color (A~C):

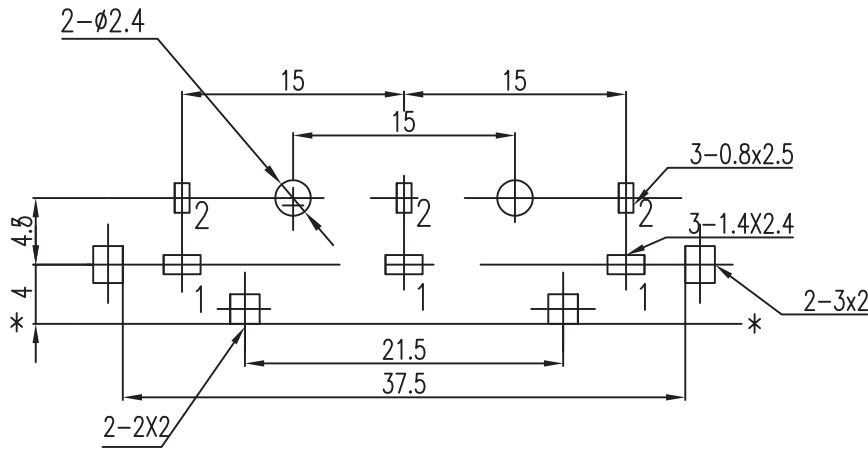
A= Y:YELLOW W:WHITE R:RED G:GREEN b:BLUE
 B= Y:YELLOW W:WHITE R:RED G:GREEN b:BLUE
 C= Y:YELLOW W:WHITE R:RED G:GREEN b:BLUE

A~C = (YWR) (standard color)

A~C = (GbR) (standard color)

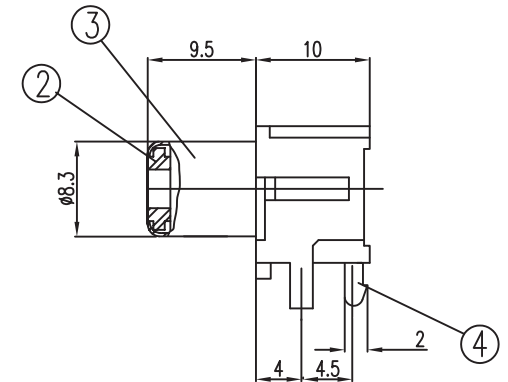
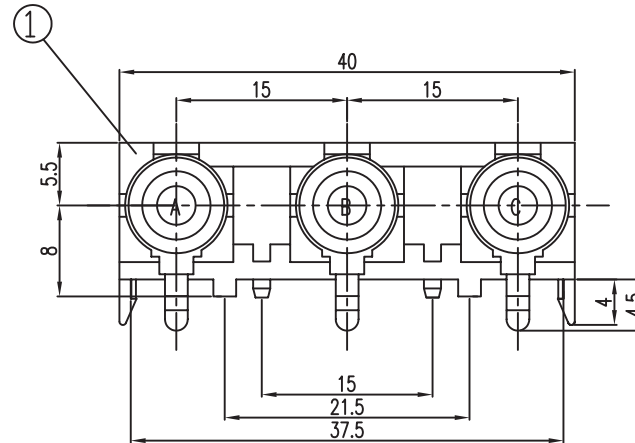
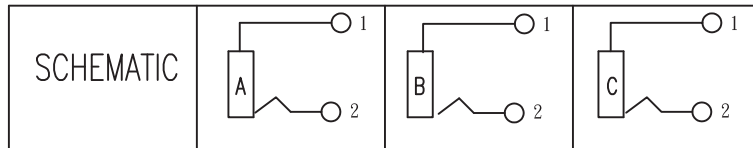
b. Pack :

D : Disk Pack




T:1.6 Dimensions of PC board holes

Tolerance : ±0.1(Printed-side view)



4	TERMINAL	3	C2680	t=0.4	MB:Cu Cu/Sn PLATED
3	OUTER CONTACT	3	C2680	t=0.4	MB:Cu Ni PLATED
2	WASHER	3	PBT		
1	HOUSING	1	PBT		
LTR	PART NAME	QTY	MATERIAL		REMARK

GENAL TOLERANCE ± 0.3	DRAW M. C. WANG	PART NO HRCAJ-133-ABC-R-X
	DESIGN H. D. LI	TITLE PIN JACK
	CHECKED Y. M. LU	
UNIT :mm	APPROVED J. F. KANG	 宏揚精密有限公司 HOJAR PRECISION CO., LTD.