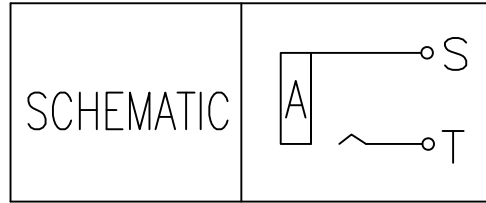
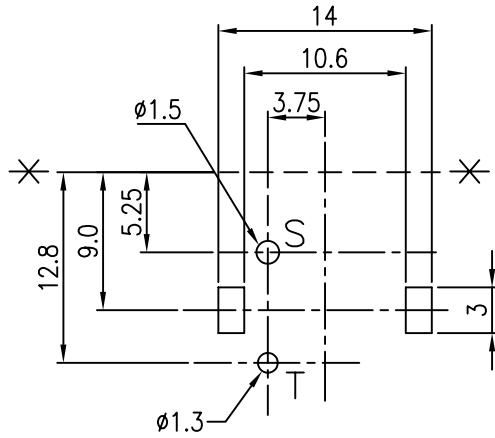


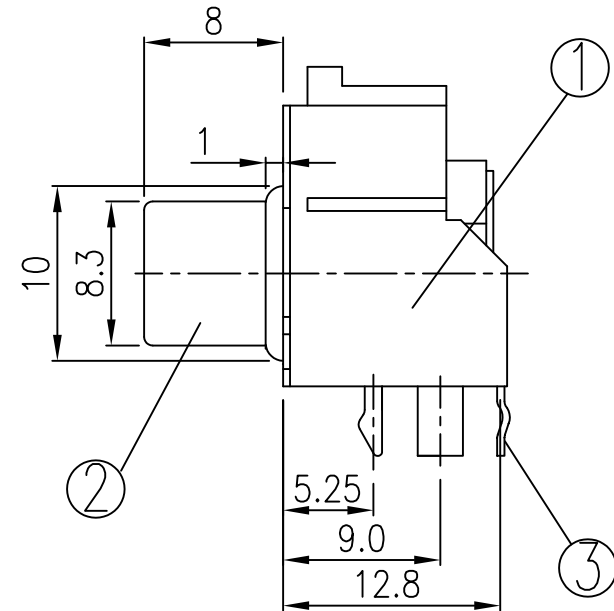
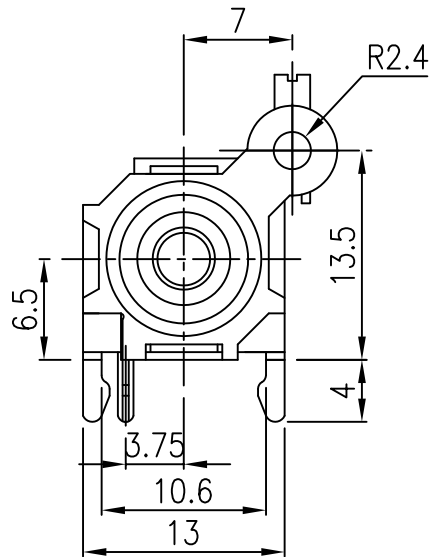
ORDER INFORMATION:

HRCAP - 114 - $\frac{X}{a}$ - RS - $\frac{X}{b}$

- a. Pin Color:
 - R:Red
 - B:Black
 - Y:Yellow
 - W:White
 - O:Orange
- b. Pack selection:
 - B:Bag Pack



T:1.6 Dimensions of PC board holes
Tolerance : ±0.1(Printed-bottom view)



3	TERMINAL	1	C2680	t=0.4	MB:Cu Cu/Sn PLATED
2	OUTER CONTACT	1	C2680	t=0.4	MB:Cu Cu/Sn PLATED
1	HOUSING	1	ABS		UL-94HB
LTR	PART NAME	QTY	MATERIAL		REMARK

GENAL TOLERANCE ± 0.3	DRAW M. C. WANG	PART NO HRCAP-114-X-RS-X
	DESIGN H. D. LI	TITLE PIN JACK
	CHECKED Y. M. LU	
UNIT :mm	APPROVED J. F. KANG	宏揚精密有限公司 HOJAR PRECISION CO., LTD.