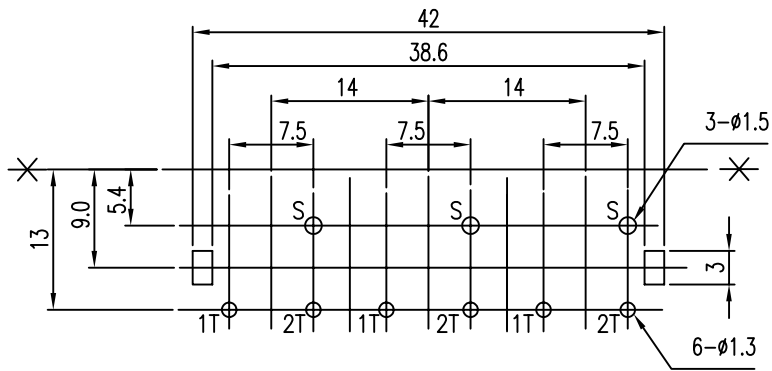


ORDER INFORMATION:

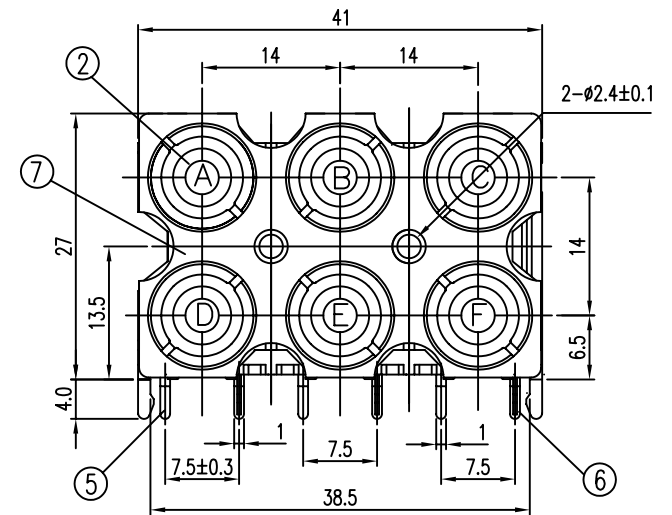
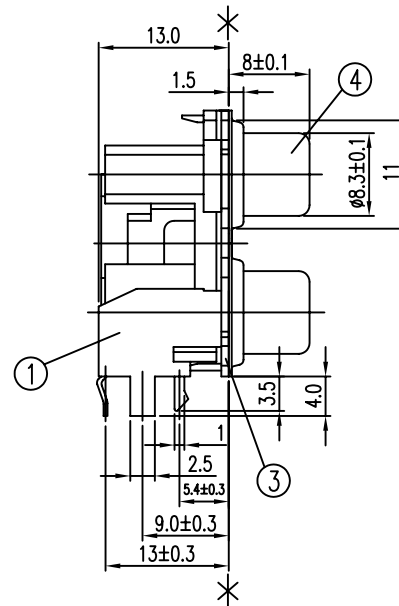
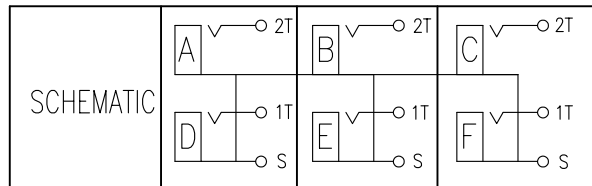
HRCAP- 262 - $\frac{ABCDEF}{a}$ -R4 - $\frac{X}{b}$

a. Pin Color(A~F)


b. Pack selection:
D:Disk Pack



T:1.6 Dimensions of PC board holes
Tolerance : ± 0.1 (Printed-side view)



LTR	PART NAME	QTY	MATERIAL	REMARK
7	SEALED PLATED	1	C2680 t=0.3	MB:Cu Cu/Sn PLATED
6	TERMINAL	3	C2680 t=0.4	MB:Cu Cu/Sn PLATED
5	TERMINAL	3	C2680 t=0.4	MB:Cu Cu/Sn PLATED
4	OUTER CONTACT	3	C2680 t=0.4	MB:Cu Cu/Sn PLATED
3	COVER	3	ABS	UL-94HB
2	WASHER	6	ABS	UL-94HB
1	HOUSING(BLACK)	1	ABS	UL-94HB

GENAL TOLERANCE	DRAW	PART NO
	± 0.3	M. C. WANG
DESIGN		TITLE
	H. D. LI	PIN JACK
	CHECKED	
	Y. M. LU	
	APPROVED	
UNIT :mm	J. F. KANG	 宏揚精密有限公司 HOJAR PRECISION CO., LTD.