

ORDER INFORMATION:

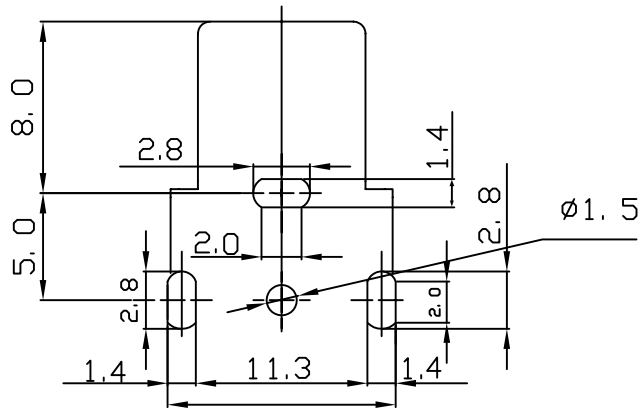
HRCAT - 111 - $\frac{X}{a}$ - R - $\frac{X}{b}$

a. Pin Color:

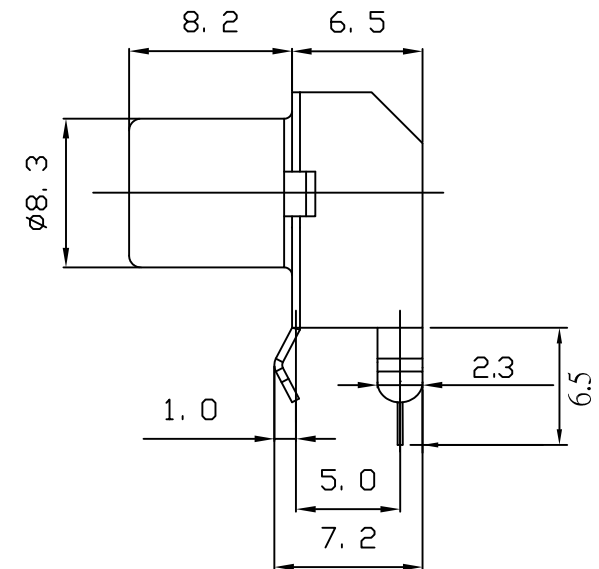
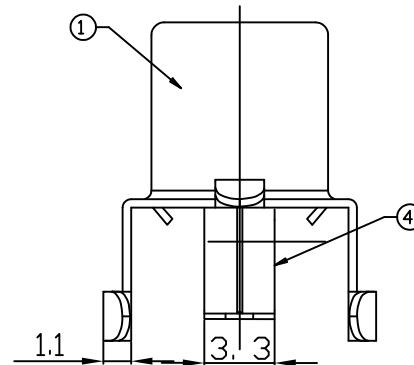
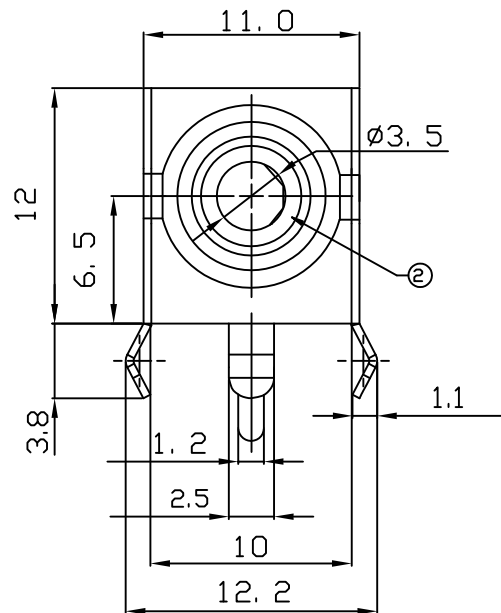
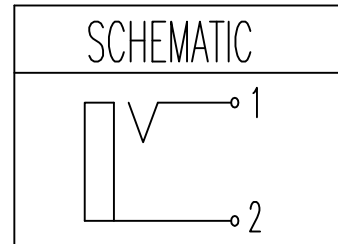
- R:Red
- B:Black
- Y:Yellow
- W:White
- BL:Blue
- G:Green

b. Pack selection:


- B:Bag Pack



T:1.6 Dimensions of PC board holes
Tolerance : ±0.1(Printed-bottom view)



4	CONTACT	1	BRASS t=0.3	MB:Cu Cu/Sn PLATED
3	INSULATOR	1	PBT 15%GF	UL-94V-0
2	COLOR RING	1	PBT 15%GF	UL-94V-0
1	SHIELD	1	BRASS t=0.4	MB:Cu Cu/Sn PLATED
LTR	PART NAME	QTY	MATERIAL(THICK,COLOR)	REMARK

GENAL TOLERANCE ± 0.3	DRAW M. C. WANG	PART NO HRCAT-111-X-R-X
	DESIGN H. D. LI	TITLE SHIELD RCA JACK
	CHECKED Y. M. LU	 宏揚精密有限公司 HOJAR PRECISION CO., LTD.
UNIT :mm	APPROVED J. F. KANG	