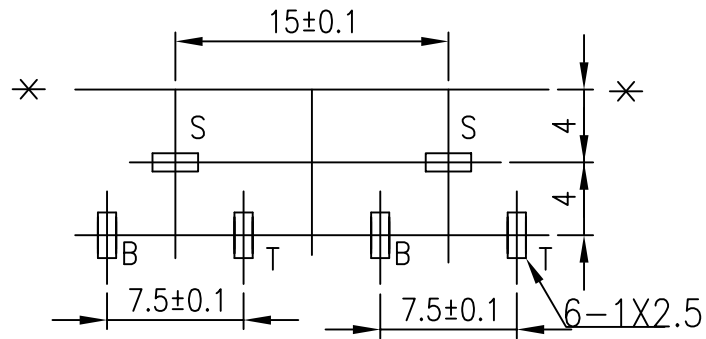


ORDER INFORMATION:

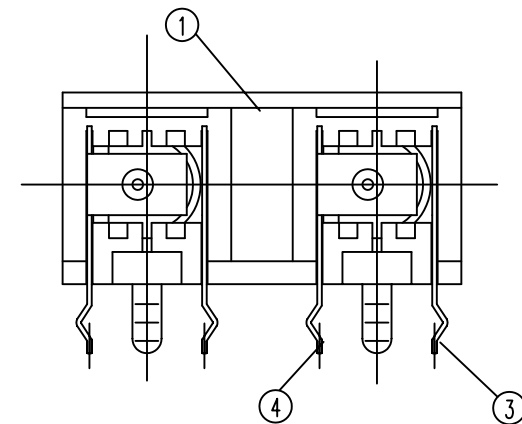
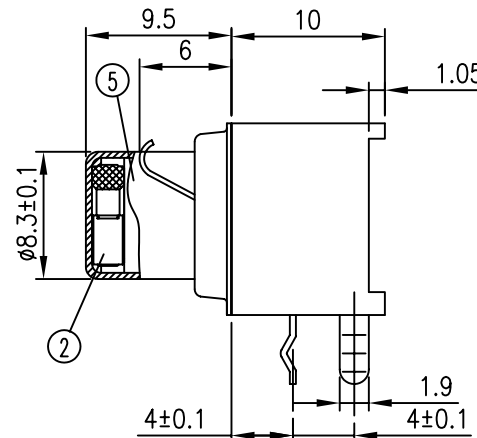
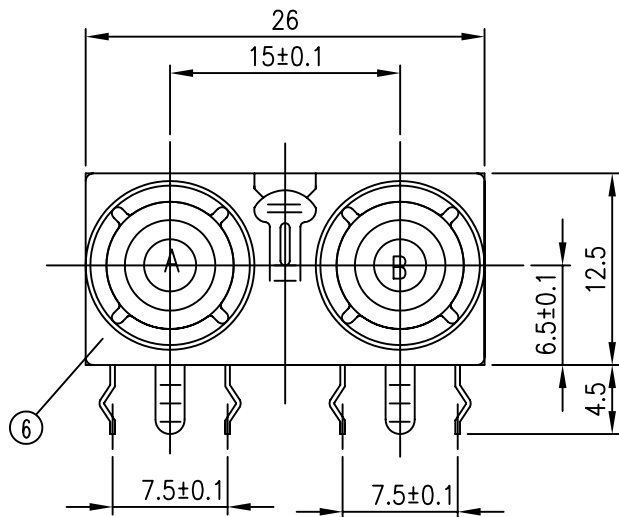
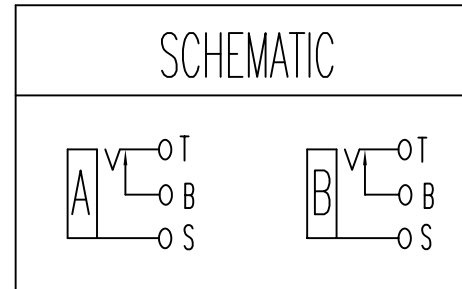
HRCAT - 121 - $\frac{AB}{a}$ - R - $\frac{X}{b}$

a. Pin Color(A~B)

b. Pack selection:
D:Disk Pack



T:1.6 Dimensions of PC board holes
Tolerance : ±0.1(Printed-bottom view)



6	SEALED PLATE	1	C2680	t=0.3	MB:Cu Cu/Sn PLATED
5	OUTER CONTACT	2	C2680	t=0.3	MB:Cu Cu/Sn PLATED
4	TIP SPRING	2	C5191	t=0.3	MB:Cu Ag PLATED
3	RING SPRING	2	C5191	t=0.3	MB:Cu Ag PLATED
2	WASHER	2	ABS		
1	HOUSING	1	ABS		
LTR	PART NAME	QTY	MATERIAL		REMARK

GENAL TOLERANCE ± 0.3	DRAW M. C. WANG	PART NO HRCAT-121-AB-R-X
	DESIGN H. D. LI	TITLE PIN JACK
	CHECKED Y. M. LU	
UNIT :mm	APPROVED J. F. KANG	宏揚精密有限公司 HOJAR PRECISION CO., LTD.