

VERSION

A

MATERIAL

HOUSING:HING TEMPERATURE THERMOPLASTIC.

CONTACT:COPPER ALLOY

SHELL: COPPER ALLOY

PLATING

CONTACT AREA:GOLD PLATED OVER NI

SOLDER TAIL:100u” MIN Sn PLATED OVER Ni.

SPEC SEE ORDERING INFORMATION

SHELL SOLDER AREA: GOLD PLATED OVER Ni.

RATING

CURRENT RATING:0.5A

VOLTAGE RATING: 250VRM

OPERATING TEMPERATURE:-25°C ~90°C

SPECIFICATION

CONTACT RESISTANCE:100mΩMax

DIELECTRIC WITHSTANDING VOLTAGE:500VAC

INSULATION RESISTANCE:100 MΩMin

INSERTION FORCE: 40N MAX.

SEPARATION FORCE:2N MIN.

ORDER INFORMATION:

SD- S1 - $\frac{X}{a}$

a. Contact Gold Plated :

1 : Gold Flash

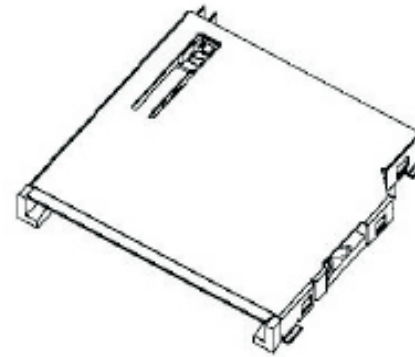
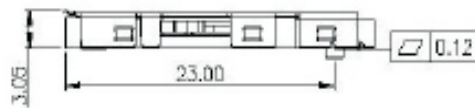
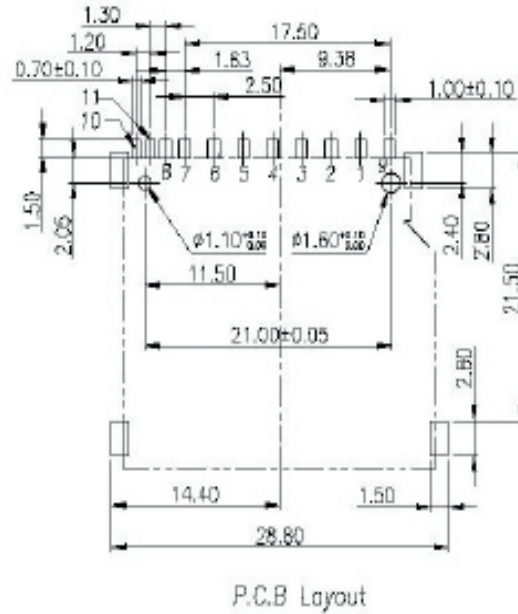
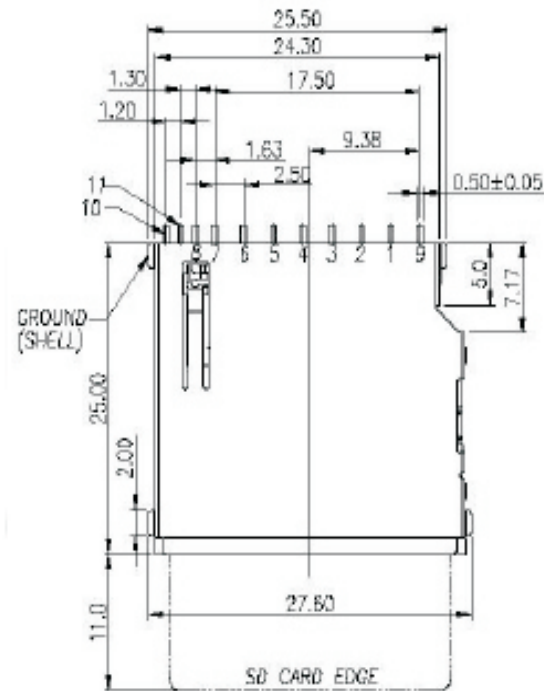
2 : Gold 3u”

3 : Gold 5u”

4 : Gold 10u”

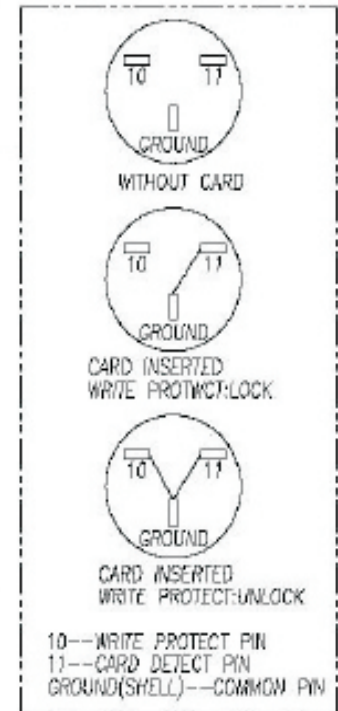
5 : Gold 15u”

GENAL TOLERANCE	DRAW DATE	PART NO
.X ± 0.38	H. D. LI	SD - S1-X
.XX ± 0.25	DESIGN	TITLE
.XXX ± 0.10	H. D. LI	SECURE DIGITAL MEMORY CARD CONNECTOR NORMAL TYPE
	CHECKED	
	Y. M. LU	
	APPROVED	
UNIT :mm	J. F. KANG	 宏揚精密有限公司 HOJAR PRECISION CO., LTD.



SD CARD PIN DESIGN

Pin No.	Name	Description
1#	CD/DAT3	Card detect/Data I/O
2#	CMD	Command
3#	VSS1	Ground
4#	VDD	Power
5#	CLK	Clock
6#	VSS2	Ground
7#	DAT0	Data I/O
8#	DAT1	Data I/O
9#	DAT2	Data I/O



GENAL TOLERANCE	DRAW DATE	H. D. LI
.X ± 0.38	DESIGN	H. D. LI
.XX ± 0.25	CHECKED	Y. M. LU
.XXX ± 0.10	APPROVED	J. F. KANG
UNIT :mm		

PART NO	SD - S1 - X
TITLE	SECURE DIGITAL MEMORY CARD CONNECTOR NORMAL TYPE

宏揚精密有限公司
HOJAR PRECISION CO., LTD.